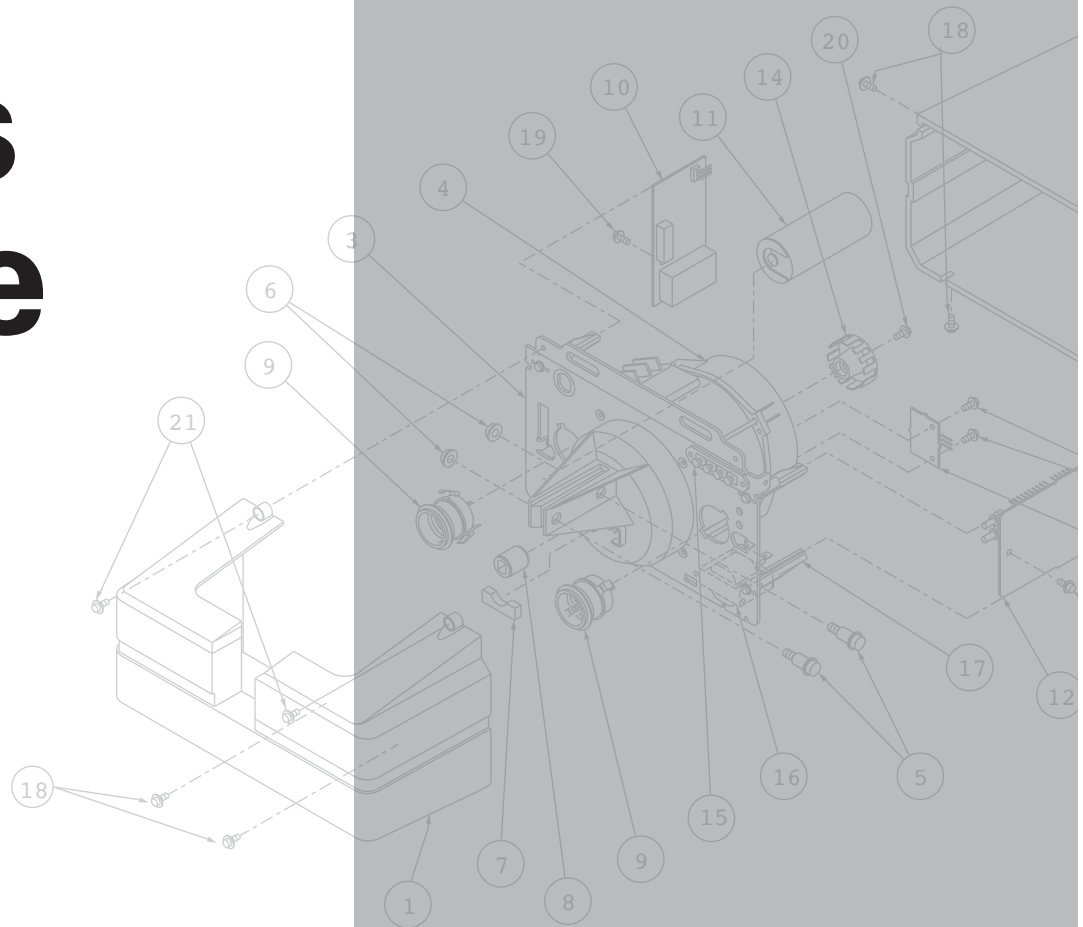




**PROFESSIONAL LINE †**

# Parts Guide



**Residential Garage Door Operators**

*Illustrated Parts  
Breakdowns*



**PROFESSIONAL LINE +**

## General Information

### Minimum Order

- A minimum order of \$10.00 applies to all orders.

### Delivery

- Any claims for shortages or damaged product should be made to the carrier within 30 days.
- Delivery will normally be 5 to 10 working days after receipt and credit approval.
- Delivery of special parts not contained in this catalog will be dependant on availability from our vendors and/or manufacturing time.

### Returns, In-Warranty, & Damaged Product

- All powerhead assemblies must be pre-approved for return by your Genie Technical Representative.
- All in-warranty products may be replaced or repaired at the option of Genie.

#### **Customer Service/Dealer Order Entry**

**Phone:** 1-800-843-4084, Option 2

**Fax:** 1-800-221-0132

**Hours:** Monday–Friday, 8am–5pm EST

#### **Dealer Technical Services**

**Phone:** 1-800-843-4084, Option 3 for Residential Technicians, Option 4 for Commercial Technicians, Option 5 for Aladdin Connect Support, & **Option 6 for Gates.**

**Hours:** Monday–Friday, 8am–7pm EST

**[www.geniecompany.com](http://www.geniecompany.com)**

*\*Purchasers buying directly from door plants should refer to their normal pricing, payment and delivery terms*

# INDEX

Current Accessories	.....	2
---------------------	-------	---

## CURRENT PRODUCTION

### Wall Mount Models

DC Wall Mount	6070, 6170, 6172	.....	3
---------------	------------------	-------	---

### Screw Drive Models

DC Screw Drive 140V Motor, 2 Light Models	4063/B, 4064H/B, 4164H/B 4	.....	4
Rails: Screw Drive C-Channel Style (1pc and 3pc)	4063/B, 4064H/B, 4164H/B	.....	5













### Chain or Belt Drive Models

DC Chain or Belt Drive 140v Motor, 2 Light Models	3024H, 3024H-B, 3124H, 3124H-B, 4124H, 4124H-B, 3022, 3042, 3142, 4022, 4042, 4142	.....	6
DC Chain or Belt Drive 24v Motor, 360 Integrated LEDs	G3120HL, G3120HL-B	.....	7
DC Chain or Belt Drive 24v Motor, 1 Light Models	Non Wi-Fi/No BBU: 1028, 1028H, 2028, 2028H	.....	8
	Non Wi-Fi/ With BBU: 1028B, 2028B, 2028HB	.....	9
	Wi-Fi/No BBU: 1128, 2128, 2128H	.....	10
	Wi-Fi/BBU: 1128B, 2128B, 2128HB	.....	11
Rails: Chain/Belt C-Channel Style (1pc and 3pc)	For chain or belt models on pages 5-11		
DC Chain or Belt Drive 18v Motor, 1 Light Models	Non Wi-Fi/No BBU: 1035, 1055	.....	13
	Non Wi-Fi/ With BBU: 1055B	.....	14
	Wi-Fi/No BBU: 1135, 1155	.....	15
	Wi-Fi/BBU: 1155B	.....	16
DC Chain or Belt Drive 18v Motor, 2 Light Models	Non Wi-Fi/No BBU: 2035, 2055, 3035, 3055, 3055D	.....	17
	Wi-Fi/No BBU: 2033, 3053, 3155/L/D/LD	.....	18
	No Wi- Fi/ With BBU: 7035, 7055/D/L	.....	19
	With Wi-Fi/With BBU: 7053/L, 7135, 7155/L/D	.....	20
DC Chain or Belt Drive 18v Motor, Integrated LEDs, Wi-Fi/BBU:	E7155L, D7155L	.....	21
Rails: Tube Style (5pc)	For models on pages 13-21	.....	22

## OBSOLETE MODELS

DC Chain or Belt Drive 140v Motor, 2 Light Models	No Wi-Fi, BBU Capable or Included: 3024, 4024, 4024H, 4024H-B	.....	23
DC Chain or Belt Drive 24v Motor, 2 Light Models	No Wi-Fi, BBU Capable/Included: 3020H, 3020H-B	.....	24
	Wi-Fi, BBU Capable/included: 3120H*, 3120H-B*, 3120HL*, 3120HL-B	.....	25
DC Chain or Belt Drive 24v Motor, 1 Light Models	Wi-Fi/BBU: 2128L/BL	.....	26
DC Screw Drive 140V Motor, 2 Light Models	No Wi-Fi, BBU Capable: 3064, 3064H, 4064, 3062	.....	27
AC Screw Drive Models ½ HP Motor, 2 Light Models	No Wi-Fi, No BBU: 2564, 2568, 2562	.....	28
DC Chain or Belt Drive Models	No Wi-Fi, No BBU 1024, 2024, 1022, 2022, 2022-700, 2027, 1042, 2042	.....	29
Rails: T- style	1024, 2024, 1022, 2022, 2022-2027, 1042, 2042	.....	30
DC Screw Drive	No Wi-Fi, No BBU: Excelerator PRO99, CMD9900, H8000, ISD995, ISD1000, 4560	.....	31
Rails: Screw Drive Models	For models on page 31	.....	32
AC Screw Drive Models	CM7600/8600, PRO95, CM8600-FN, H-Series, IS/IMS/ISL, DirectLift Series (no Wi-Fi, no BBU)	.....	33
Rails: Screw Drive	For models on page 33	.....	34
DC Belt or Chain Drive Models	No Wi-Fi, No BBU: ProMax PMX 700/1200, Stealth GPS 700 IC/1200 IC	.....	35
Rails: DC Chain & Belt Drive	PMX 700/1200, Stealth: GPS 700 IC/1200IC, PMX 300 IC/B, PMX 500 IC/B, PMX 300 IC/A, PMX 500 IC/A	.....	36
AC Chain or Belt Drive Models	No Wi-Fi, No BBU, PMX 300 IC/A, PMX 500 IC/A, PMX 300 IC/B, PMX 500 IC/B, IC250, IC250/B	.....	37
Rails: T-Style, AC/DC Chain/Belt Drive	ProMax: PMX 300 IC/A, PMX 500 IC/A, PMX 300 IC/B, GPS 700, GPS 1200, GPS 700-IC, GPS 1200-IC, IC 250, IC250/B	.....	38
Rails: T-Style, AC/DC Chain Drive	ProMax: PMX 300 IC/A, PMX 500 IC/A, PMX 300 IC/B, GPS 700, GPS 1200, GPS 700-IC, GPS 1200-IC, IC 250, IC250/B	.....	39
Rails: T-Style, AC Chain/Cable Drive	IC250, IC250/B	.....	40
AC Chain Glide	No Wi-Fi, No BBU: Chain Glide, PCG/ML, Aladdin, ChainLift	.....	41
Rails: Chain Drive	For models on page 41	.....	42

# ACCESSORIES

Remotes		
	<b>Model: G1T-BX</b>	<b>Part #: 38501R</b>
	<ul style="list-style-type: none"> <li>• 1-Button Remote</li> <li>• Intellicode®</li> <li>• Auto Seek Dual Frequency (315/390 MHz)</li> <li>• Operates one door</li> <li>• Master Carton Quantity: 53</li> </ul>	
	<b>Model: G3T-BX</b>	<b>Part #: 37218R</b>
	<ul style="list-style-type: none"> <li>• 3-Button Remote</li> <li>• Intellicode®</li> <li>• Auto Seek Dual Frequency (315/390 MHz)</li> <li>• Operates up to three doors</li> <li>• Keychain/Visor style, smaller size</li> <li>• Master Carton Quantity: 53</li> </ul>	
	<b>Model: G1BT-P</b>	<b>Part #: 41538R</b>
	<b>Model: G2BT-P</b>	<b>Part #: 41538S</b>
	<b>Model: G3BT-P</b>	<b>Part #: 41538T</b>
	<b>Model: G4BT-P</b>	<b>Part #: 41538U</b>
	<ul style="list-style-type: none"> <li>• 1-Button, 2,3, or 4-Button Remote</li> <li>• Intellicode®</li> <li>• Auto Seek Dual Frequency (315/390 MHz)</li> <li>• 1-Btn works with 1 door 2-Btn works up to 2 doors</li> <li>• 3-Btn works up to 3 doors 4-Btn works up to 4 doors</li> <li>• Visor style, larger size, tactile feel, audible clicks</li> <li>• 1-3 Button Master Carton Quantity: 63</li> <li>• 4-Button Master Carton Quantity: 40</li> </ul>	
	<b>Model: GU4T-BX</b>	<b>Part #: 40659R</b>
	<ul style="list-style-type: none"> <li>• 4-Button Remote, Universal</li> <li>• Works with most popular brands of GDOs and gate receivers</li> <li>• Comes standard with visor clip AND keychain</li> <li>• Rolling code and dip switch capable</li> <li>• Master Carton Quantity: 40</li> </ul>	
Wall Consoles & Push Buttons		
	<b>Model: GBWCSL2-BX</b>	<b>Part #: 39165R</b>
	<ul style="list-style-type: none"> <li>• Series II, Multi-Function Wall Wired Console</li> <li>• Sure-Lock™ Slide Lock button disables remote access by remotes and/or keypads</li> <li>• Light Control Button</li> <li>• Master Carton Quantity: 53</li> </ul>	
	<b>Model: GWWC-P</b>	<b>Part #: 39902R</b>
	<ul style="list-style-type: none"> <li>• Single Door Wireless Wall Console, Optional Backlight</li> <li>• Intellicode®</li> <li>• Compatible with most Intellicode® openers since 2013 except Mdl's 1022, 1024, 1042, 2022, 2024, 2027, 2042</li> <li>• Door, light and delayed movement buttons</li> <li>• Master Carton Quantity: 53</li> </ul>	
	<b>Model: GUWWC-P</b>	<b>Part #: 41551R</b>
	<ul style="list-style-type: none"> <li>• 3-Door Wireless Wall Console, Optional Backlight</li> <li>• Works popular brands of GDOs and receivers</li> <li>• Control 3 different brands of garage door openers on a single wireless wall console</li> <li>• DELAY button works on any of the DOOR buttons</li> <li>• Master Carton Quantity: 40</li> </ul>	
	<b>Model: GWCM</b>	<b>Part #: 42609R</b>
	<ul style="list-style-type: none"> <li>• Wired Wall Console w Motion Detection Lighting</li> <li>• Sure-Lock™ Slide Lock button</li> <li>• Independent Light Button</li> <li>• Series II 1995 + later</li> </ul>	
	<b>Push Button</b>	
	<ul style="list-style-type: none"> <li>• Black, LED lit, Series II Compatible, Part # 29599S.S</li> <li>• Tan, Non-lit, Universal, Part # 19614R.S</li> <li>• One large push button for easy operation</li> <li>• Contents: Push Button, Screws, Insulated Staples</li> <li>• Master Carton Quantity: Individual Piece Only</li> </ul>	

Keyless Entry Pads		
	<b>Model: GK2-P</b>	<b>Part #: 42368R</b>
	<ul style="list-style-type: none"> <li>• Lighted Wireless Keyless Entry Pad</li> <li>• Intellicode®</li> <li>• Auto Seek Dual Frequency (315/390 MHz)</li> <li>• Operates up to three doors</li> <li>• Master Carton Quantity: 36</li> </ul>	
	<b>Model: GUK-BX</b>	<b>Part #: 41248R</b>
	<ul style="list-style-type: none"> <li>• Universal Wireless Keyless Entry Pad</li> <li>• Works popular brands of GDOs and receivers</li> <li>• LEDs light and tones sound with each proper button press</li> <li>• Operates up to three doors</li> <li>• Master Carton Quantity: 28</li> </ul>	
Safe-T-Beam® System		
	<b>Model: GSTB-BX</b>	<b>Part #: 37220R</b>
	<ul style="list-style-type: none"> <li>• Safe-T-Beam System</li> <li>• Backwards compatible with most Genie garage door openers with photo eye capabilities</li> <li>• Master Carton Quantity: 25</li> </ul>	
Lighting		
	<b>Model: GLEDB2</b>	<b>Part #: 40655R</b>
	<ul style="list-style-type: none"> <li>• Genie Garage Door Opener LED Light Bulb</li> <li>• Radio frequency friendly - no interference with most garage door openers</li> <li>• 4000k</li> <li>• Title 20 (California) Approved</li> <li>• Master Carton Quantity: 108</li> </ul>	
Aladdin Connect® External Device		
	<b>Model: ALKT1-R</b>	<b>Part #: 39142R</b>
	<ul style="list-style-type: none"> <li>• Aladdin Connect Door Control Module Kit</li> <li>• Monitor door position (open or closed)</li> <li>• Compatible with most residential openers</li> <li>• Includes one module and one door sensor</li> <li>• Compatible with most iOS &amp; Android Mobile devices</li> <li>• Master Carton Quantity: Individual Piece Only</li> </ul>	
	<b>Model: ALDPS-R</b>	<b>Part #: 39279R</b>
	<ul style="list-style-type: none"> <li>• Aladdin Connect Door Position Sensor</li> <li>• Door Control Module Required</li> <li>• Compatible with most iOS &amp; Android Mobile devices</li> <li>• Compatible with most residential openers</li> <li>• Uses CR2450 coin cell battery</li> <li>• Master Carton Quantity: 3</li> </ul>	
Receivers		
	<b>Model: GIR1D-P</b>	<b>Part #: 41486R</b>
	<ul style="list-style-type: none"> <li>• Single Door External Receiver + 3btn Remote</li> <li>• Intellicode® Rolling Code</li> <li>• 64 Remote Capacity</li> <li>• Power supply included</li> <li>• Master Carton Quantity: Individual Piece Only</li> </ul>	
	<b>Model: GIR3D-P</b>	<b>Part #: 41488R</b>
	<ul style="list-style-type: none"> <li>• Three Door External Receiver (no 3btn TX included)</li> <li>• Intellicode® Rolling Code and Fixed Code</li> <li>• 255 Remote Capacity</li> <li>• Power Supply Not Included With 3 Door Receiver (Order 39193A.S Also If Not powered by opener)</li> <li>• Master Carton Quantity: Individual Piece Only</li> </ul>	
Miscellaneous		
<b>Model:</b>	<b>Part #</b>	<b>Description</b>
GER-R	37374R	Emergency Release
	38013R	Dry Contact Adapter
	• Master Carton Quantity: Individual Piece Only	

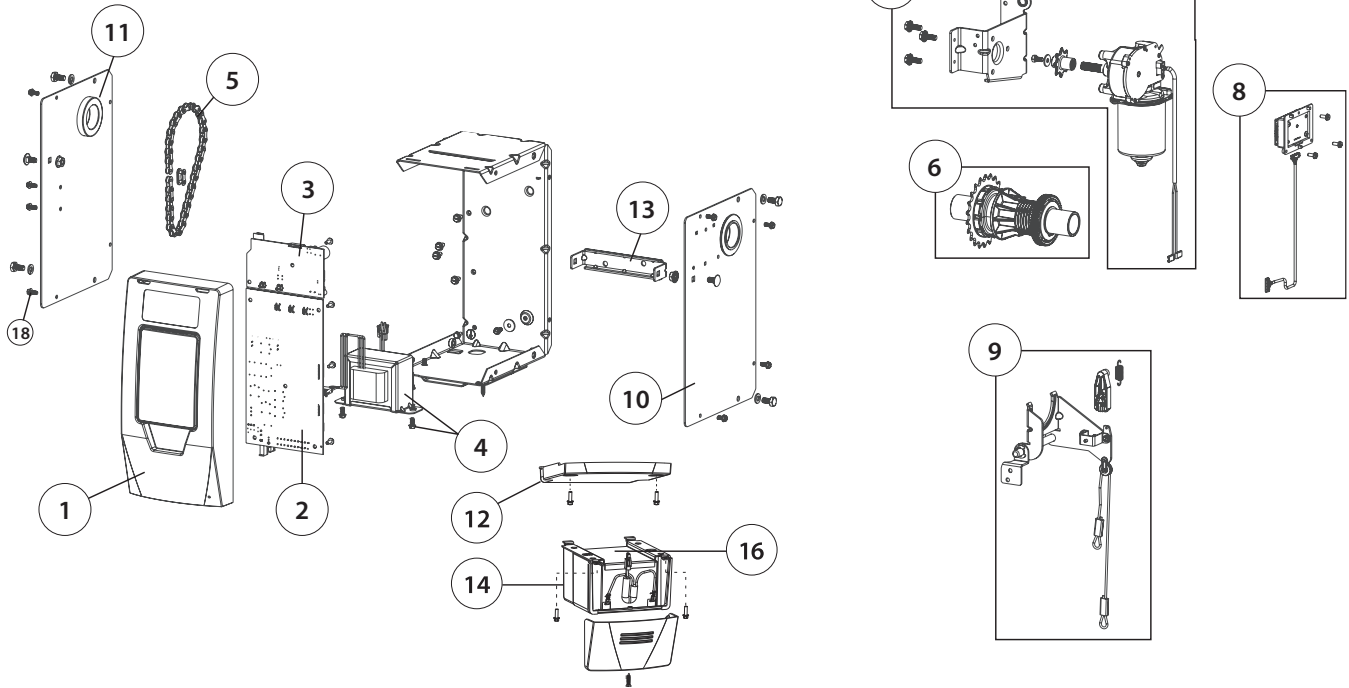
## Powerhead: DC Wall Mount

\* Integrated Wi-Fi

B or -B BBU included with product

BBU can be added at anytime to any non-BBU models on this page

H H indicates 6" cord



Ref.	Part Number	Description	Qty
1	39742A.S	Housing cover (all models)	1
2	41181R.S	Main circuit board assembly, all Wall Mount Models	1
3	41153R	ACCESSORY: To order the Wi-Fi board kit (includes harness), please order the ACCESSORY part number 41153R	1
NS	39613B.S	Harness ONLY 8" (connect Wi-Fi board to main circuit board of wall mount opener)	1
4	41184R.S	Transformer	1
5	27335P.S	Roller chain, 16.00"L LOOP,1/2"P	1
6	41176R.S	OBS: NSS: Shaft assembly kit, contained inside 41832R.S	1
7	41183R.S	OBS: NSS: Motor assembly (includes motor, bracket, sprocket) for wall mount Models, contained inside 41832R.S	1
8	39547R.S	Absolute position encoder (limit module)	1
9	41185R.S	OBS: NSS: Release assembly kit, contained inside 41832R.S	1
10	39675R.S	Side panel assembly RH	1
11	39677R.S	Side panel assembly LH	1
12	39706A.S	Bottom cover (Genie wiring tray)	1
13	41192R.S	Center brace	1
NS	41832R.S	Service Head: includes chassis frame, shaft assembly, motor assembly, disconnect assembly, and power cord	1
14	41374R.S	Battery backup housing ONLY, Genie (includes casing part numbers 12 & 14 screws and bracket)	1
16	111658.0002.S	Battery ONLY, replacement	1
NS	39710A.S	Cable assembly, 7.25" (connects BBU to wall mount opener)	1
18	8706E30	NSS: #8-32 x 3/8 Screw (Screws for this are inside 41375R.S hardware kit; not sold separately)	1
NS	41180R.S	OBS: NSS: Power cord assembly, contained inside 41832R.S	1
NS	39830R.S	Coupler assembly	1
NS	39946R.S	Parts pack of general hardware (emergency release handle, safety cord release, staples, jamb bracket, screws)	1
NS	40629A.S	Wire harness for door lock	1
NS	41005R.S	Parts pack for door lock (includes 2 nuts & bolts)	1
NS	41375R.S	Misc hardware kit (bolts, washers, screws, to attach transformer & APE)	1
NS	39794A.S	Universal cable keeper set	1
NS	41149R	ACCESSORY: Lock for Wall Mount Unit (includes harness and parts pack)	1
NS	41151T	ACCESSORY: Light Kit for Wall Mount Unit	1
NS	41152R	ACCESSORY: Battery Backup for Genie Wall Mount Unit (complete)	1
NS	39613B.S	Harness ONLY 8" (connect Wi-Fi board to main circuit board of wall mount opener)	1
NS	41194R	ACCESSORY: Alternate power kit for jackshaft operators	1
NS	40803R	ACCESSORY: Mounting kit for jackshaft operators	1
NS	41032R	ACCESSORY: "TorqueMaster" adapter kit	1

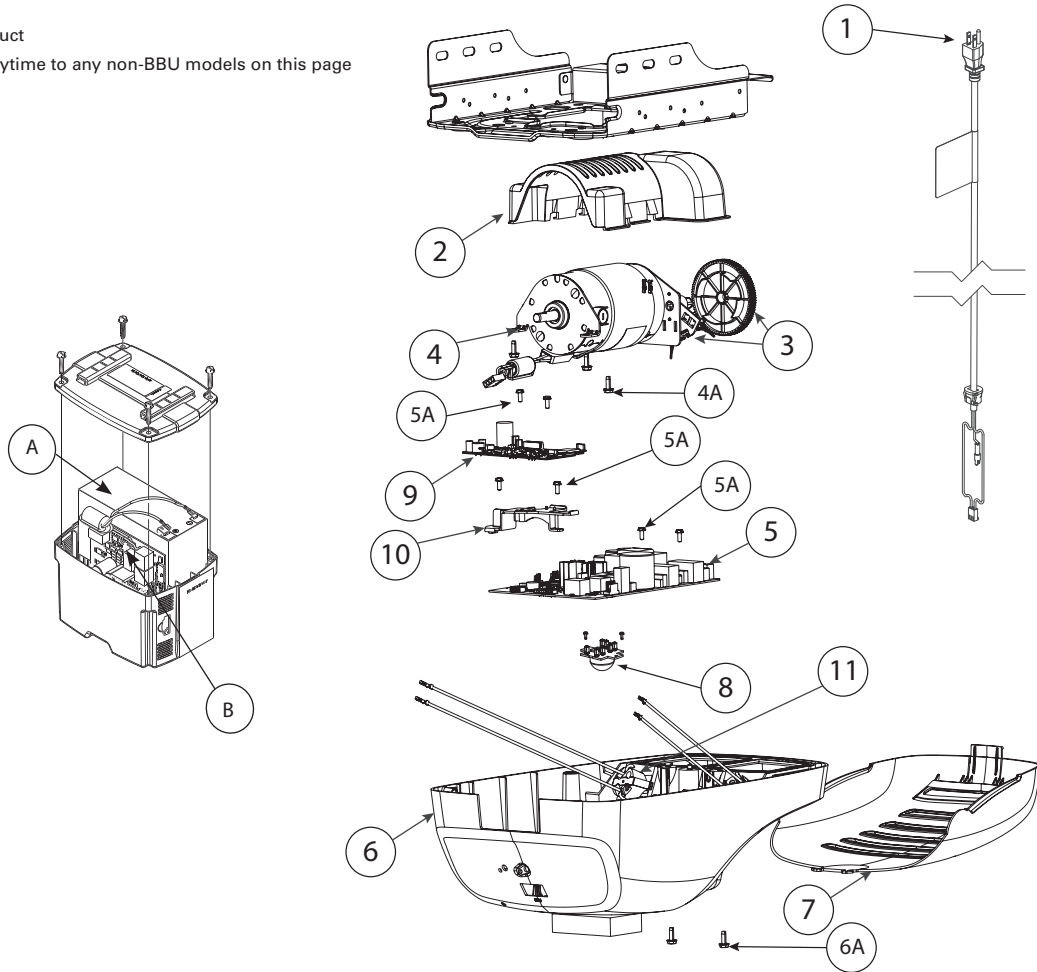


Quantities shown reflect total pieces needed.  
 Prices charged are per each piece.

OBS = Obsolete Item  
 NSS = Not Sold Separately  
 NS = Not Shown

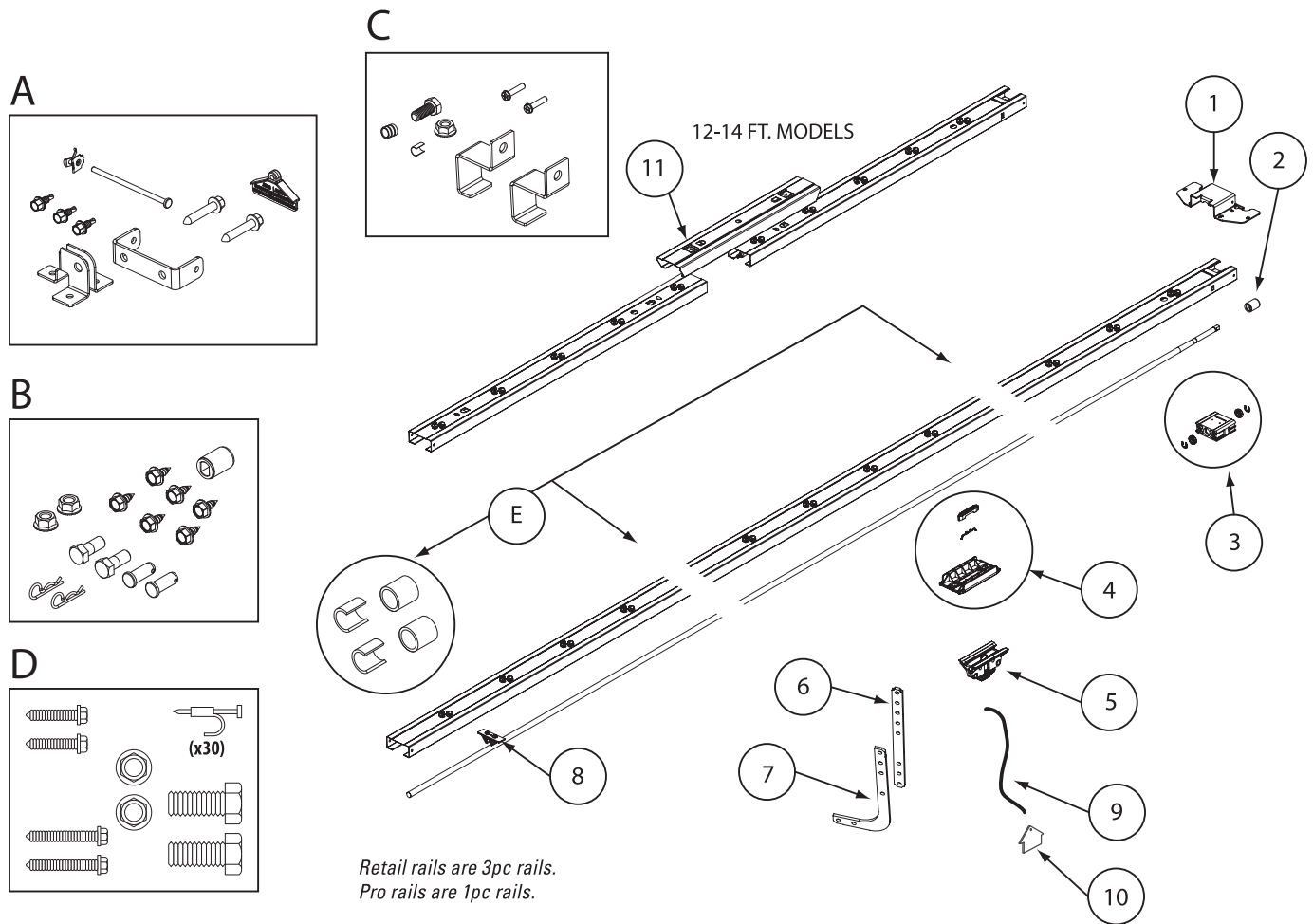
## Powerhead: DC Screw Drive 140V Motor, 2 Light Models (with and without Wi-Fi, with and without BBU)

- \* Integrated Wi-Fi
- B or -B BBU included with product  
 BBU can be added at anytime to any non-BBU models on this page
- H H indicates 6" cord



Ref.	Part Number	Description	Qty
1	38240A.S	Power cord assembly, 4'	1
	38240B.S	Power cord assembly, 6'	1
2	36639A.S	Motor cover assembly, 140V DC screw drive Models	1
3	39155R.S	Optical encoder replacement assembly (DC 140V screw drive)	1
4	38631A.S	Motor assembly w/opto-luctor, 140V DC screw drive Models (includes screws)	1
4A	086575.0808.S	Screw, motor, #10-32 X 1/2	3
5	38874R2.S	Main circuit board assembly, 140V Screw Drive Openers, no Wi-Fi, with or without BBU (4XXX Models)	1
	39992R.S	Main circuit board assembly, 140V Screw Drive Openers, with Wi-Fi, with or without BBU (3XXX and 4XXX Models)	1
	39991R.S	Main non-configured circuit board assembly, all Wi-Fi 140V chain/belt/screw drive models	1
	38877R.S	Main non-configured circuit board assembly, all NON Wi-Fi 140V chain/belt/screw drive models	1
5A	27255C04.S	Screw, 6-18 x 3/8, self tapping	3
6	37843S.S	Powerhead cover, 4064H, 4064H-B (contains light socket)	1
	41016S.S	Powerhead cover, 4164H, 4164H-B (contains light socket)	1
	41016T.S	Powerhead cover, 4063, 4063B Machforce Connect Models (contains light socket)	1
6A	086575.0808.S	Screw, motor, #10-32 X 1/2	1
7	38425A.S	Light lens cover, replacement for 2 light, 140V Genie Models	1
8	37560R.S	Motion detector module w/ screws	1
9	39732R.S	Wi-Fi circuit board assembly ONLY (Genie 2 light; for units with a main green circuit board)	1
NS	39613A.S	Harness ONLY, 6" (connect Wi-Fi board to main green circuit board)	1
10	39993R.S	Mounting support bracket for Wi-Fi circuit board assembly (Genie; for units with a main green circuit board)	1
11	(see #6)	Light socket for these models is part of the powerhead cover	1
A	36959A.S	Battery ONLY, replacement (140V BBU accessories 37228R, 37229R cases WITH LOGO)	1
A	111658.0002.S	Battery ONLY, replacement (140v BBU accessories 41590R)	1
B	36953R.S	OBS : Battery backup circuit board (used in older 140V accessories 37228R, 37229R, use with NO LOGO)	1
NS	36747R.S	Cable assembly, 3' (connects BBU to 140V operator)	1

Rails: DC & AC Screw Drive Rails, 1pc and 3pc C-Channel Rails



Ref.	Part Number	Description	Qty
1	38123A.S	Mounting flange, rail	1
2	36645R.S	Coupler	1
3	37844R.S	Bearing block assembly	1
4	37845R.S	Carriage assembly, screw drive	1
5	36664R.S	Shuttle assembly, screw drive	1
6	37475A.S	Door Arm, Straight	1
7	37476A.S	Door Arm, Curved	1
8	38159A.S*	Mount drive screw, 7f t. models (13 pc req.) Mount drive screw, 8f t. models (15 pc req.) *Part is a 5 pack Mount drive screw, 10f t. models (17 pc req.) Mount drive screw, 12f t. models (20 pc req.) Mount drive screw, 14f t. models (24 pc req.)	
9	21123F.S	Emergency Release Cord, 7-8-10 ft Models	1
	21123G.S	Emergency Release Cord, 12-14ft Models	1
10	37107C.S	Carriage release handle	1
11	38178R.S	Parts pack, rail connector (12ft-14ft Rails)	1
A	37047R.S	Mounting parts pack (Orange Bag)	1
B	37048R.S	Installation parts pack (Blue bag)	1
C	37216R.S	Rail Support Kit (12ft-14ft Rails, clips and collars included)	1
D	37105R.S	Hanging hardware parts pack (Green Bag, Retail)	1
E	19807A04.S	Retaining Clip	2
	19806A04.S	Collar	2
NS	42240R.S	Wire clips, (Large, 4-pack) attach wire to rail	
NS	42240S.S	Wire clips, (50 pcs) attach wire to rail	1
NS	37303R	ACCESSORY: Rail Extender Kit, 8' Screw (for 7' Retail Rail Only)	1
NS	38244R.S	3PC Service rail, c-channel screw drive rail	1



Quantities shown reflect total pieces needed.  
 Prices charged are per each piece.

OBS = Obsolete Item  
 NSS = Not Sold Separately  
 NS = Not Shown

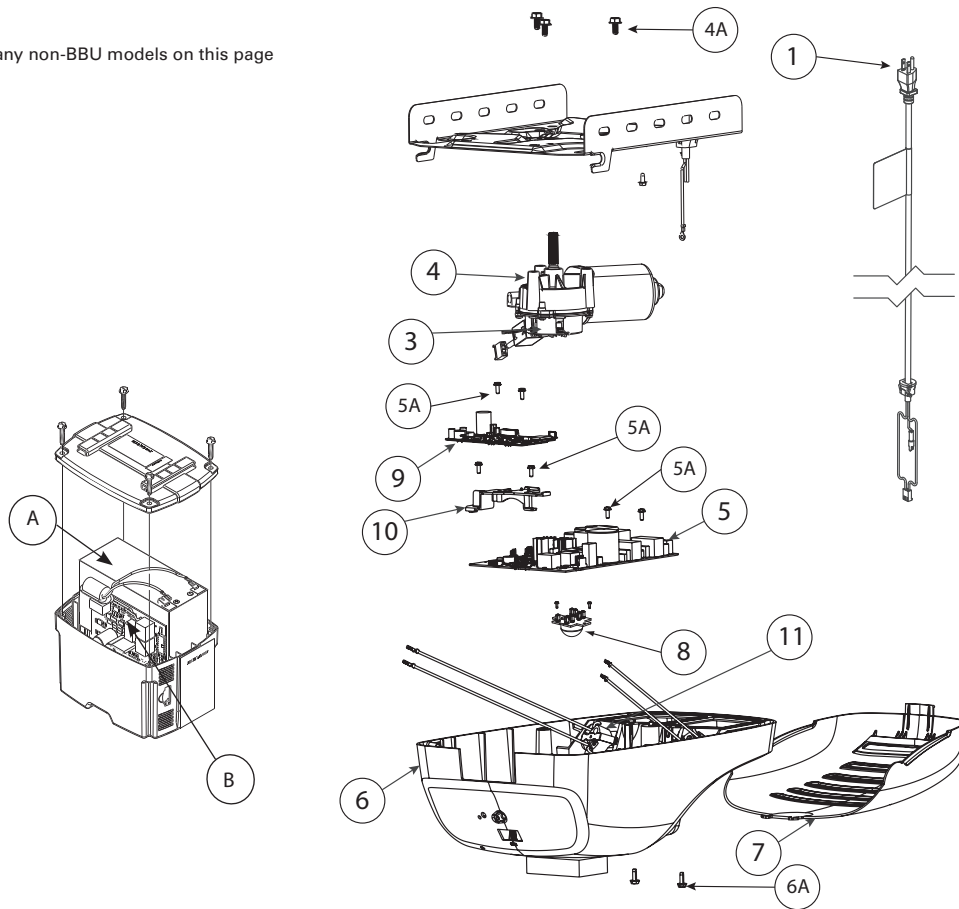
**Powerhead: DC Chain or Belt Drive 140V Motor, 2 Light Models (with and without Wi-Fi, BBU capable or included)**

\* Integrated Wi-Fi

B or -B BBU included with product

BBU can be added at anytime to any non-BBU models on this page

H H indicates 6" cord



Ref.	Part Number	Description	Qty
1	38240A.S	Power cord assembly, 4'	1
	38240B.S	Power cord assembly, 6'	1
3	39360R.S	Optical encoder replacement assembly (DC 140V chain/belt)	1
4	41014R.S	Motor assembly, 140V (includes encoder) (Replaces 38727A.S)	1
4A	36947A.S	Screw, motor, M6 X 1-1/2	3
5	38874R3.S	Main circuit board assembly, 140V Chain/Belt Openers, no Wi-Fi, with or without BBU (3XXX Models)	1
	38874R4.S	Main circuit board assembly, 140V Chain/Belt Openers, no Wi-Fi, with or without BBU (4XXX Models)	1
	39992S.S	Main circuit board assembly, 140V Chain/Belt Openers, with Wi-Fi, with or without BBU (3XXX and 4XXX Models)	1
	38877R.S	Main non-configured circuit board assembly, all NON Wi-Fi 140V chain/belt/screw drive models	1
	39991R.S	Main non-configured circuit board assembly, all Wi-Fi 140V chain/belt/screw drive models	1
5A	27255C04.S	Screw, 6-18 x 3/8, self tapping	3
6	38311R.S	Powerhead cover, 3022, ChainMax 1000 (contains light socket)	1
	38312R.S	Powerhead cover, 3042, SilentMax 1000 (contains light socket)	1
	37564R.S	Powerhead cover, 3024, 3024H, 3024H-B (contains light socket)	1
	41016U.S	Powerhead cover, 3124H, 3124H-B (contains light socket)	1
	38311S.S	OBS: Powerhead cover, 4022, ChainMax 1200 (contains light socket)	1
	38312S.S	Powerhead cover, 4042, SilentMax 1200 (contains light socket)	1
	41016R.S	Powerhead cover, 4124H, 4124H-B (contains light socket)	1
6A	086575.0808.S	Screw, motor, #10-32 X 1/2	2
7	38425A.S	Light lens cover, replacement for 2 light, 140V Genie Models	1
8	37560R.S	Motion detector module w/ screws	1
9	39732R.S	Wi-Fi circuit board assembly ONLY (Genie 2 light; for units with a main green circuit board)	1
NS	39613A.S	Harness ONLY, 6" (connect Wi-Fi board to main green circuit board)	1
10	39993R.S	Mounting support bracket for Wi-Fi circuit board assembly (Genie; for units with a main green circuit board)	1
11	(see #6)	Light socket for these models is part of the powerhead cover	1
A	36959A.S	Battery ONLY, replacement (140V BBU accessories 37228R, 37229R cases WITH LOGO)	1
NS	111658.0002.S	Battery ONLY, replacement;(140v BBU accessory, 41590R)	1
B	36953R.S	Battery backup circuit board (used in older 140V accessories 37228R, 37229R, use with NO LOGO)	1
NS	36747R.S	Cable assembly, 3' (connects BBU to 140V operator)	1

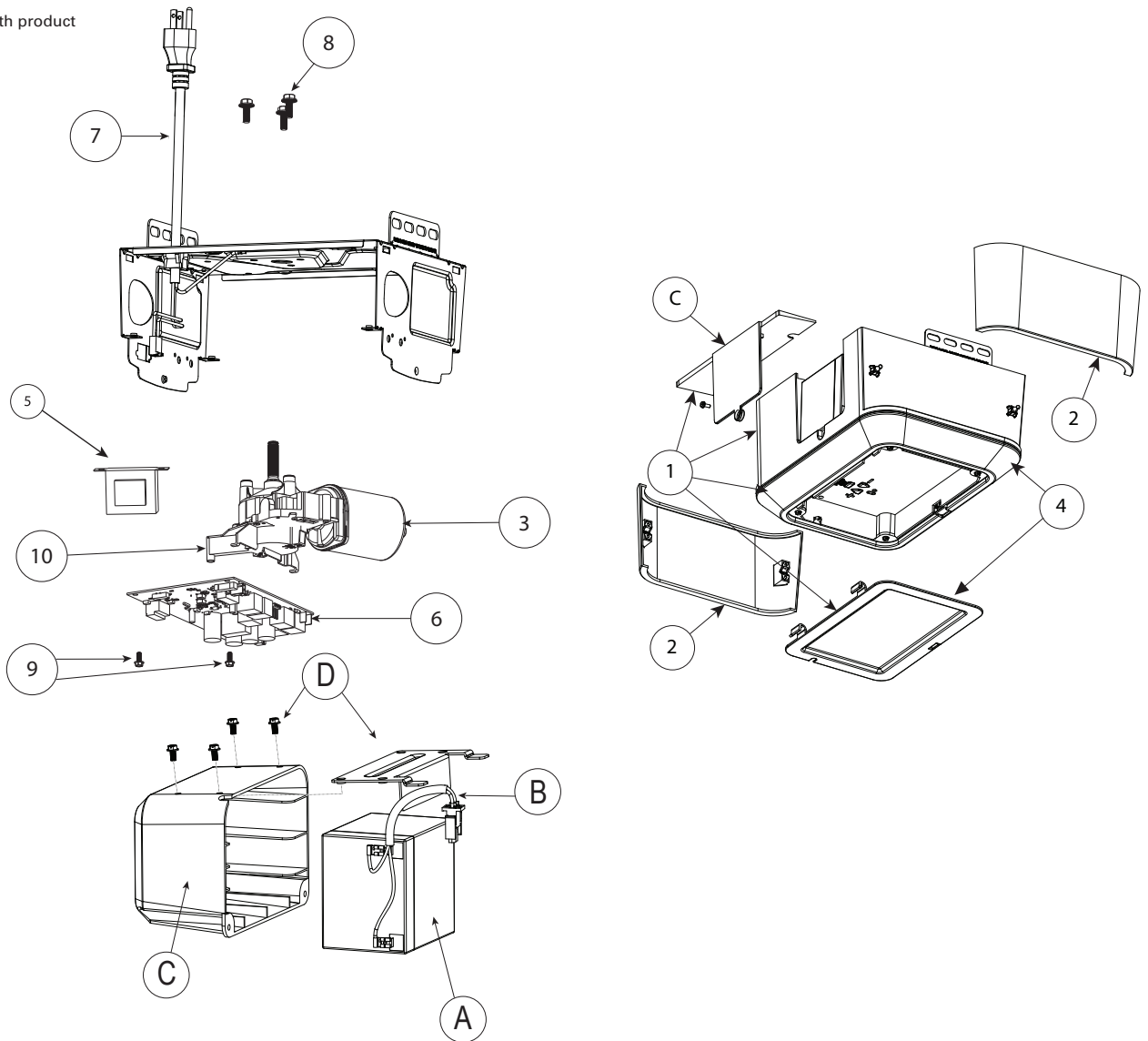
**Powerhead: DC Chain or Belt Drive 24V Motor, 360 Integrated LEDs (with Wi-Fi, BBU capable or included)**

\* Integrated Wi-Fi

B or -B BBU included with product

H H indicates 6" cord

L Integrated LED

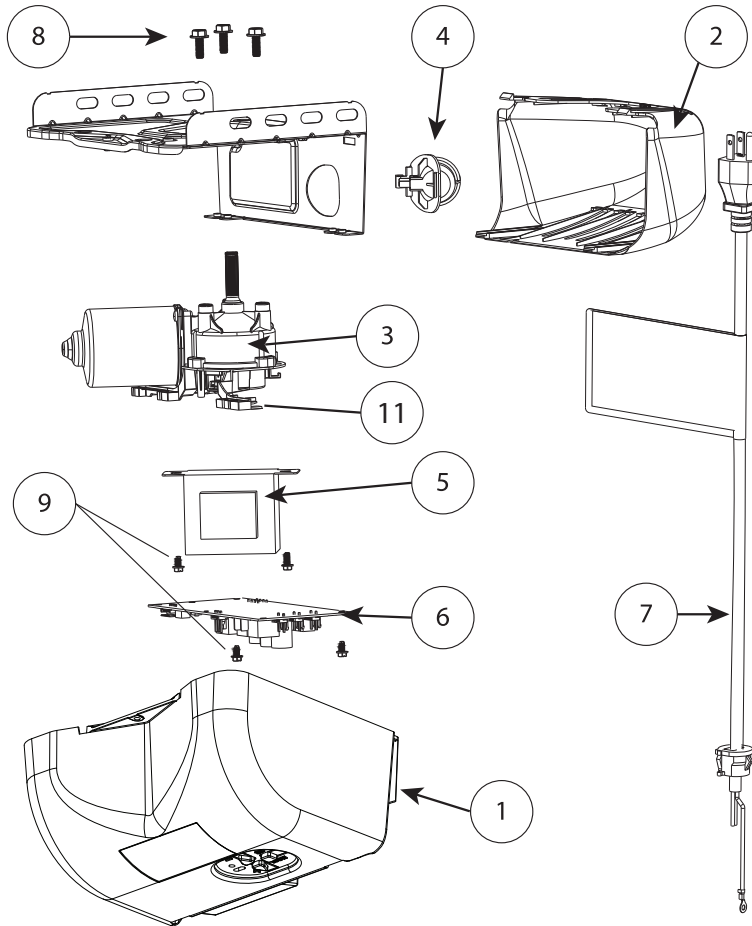


Ref.	Part Number	Description	Qty
1	42779R.S	Powerhead cover with lens, LEDs, decorative cover, battery access door (PRO; 360LED)	1
2	42778R.S	End Panel, 2pc (PRO; 360 LED)	2
3	41182V.S	Motor assembly, 2 light, Wi-Fi, with or without BBU (RIDE 24V; includes encoder and wire)	1
4	42777R.S	Lens kit (Lens & decorative door) (PRO; 360 LED)	1
5	39342R.S	Transformer, 120V	1
6	41923R.S	Blue main circuit board assembly, 1 or 2 Light, with Wi-Fi, with or without BBU (1XXX, 2XXX, 3XXX, 7XXX Models) (Only replace w/ blue board)	1
7	38240B.S	Power cord assembly, 6'	1
8	38437A.S	Screws, M6-1x12 (3pk)	1
9	8706G04.S	Screws, # 8x5/16 (3pk)	2
10	41263R.S	Optical encoder replacement assembly, 2 light, with Wi-Fi, with or without BBU (RIDE)	1
	38252A.S	Optical encoder wheel only (works with NIDEC or RIDE motors/encoders)	1
A	111658.0002.S	Battery ONLY, replacement	1
B	38935A.S	Harness ONLY, 8.5" (external; connects BBU to chassis)	1
NS	42775R.S	Battery Door Replacement Kit	1
NS	42776R	ACCESSORY: Battery Backup Kit(comes with battery & harness)	
NS	43122R.S	Battery Harness (connects battery/terminals to G3120HL/R7120HL openers)	

**Powerhead: DC Chain or Belt Drive 24V Motor, 1 Light Models (no Wi-Fi, no BBU)**

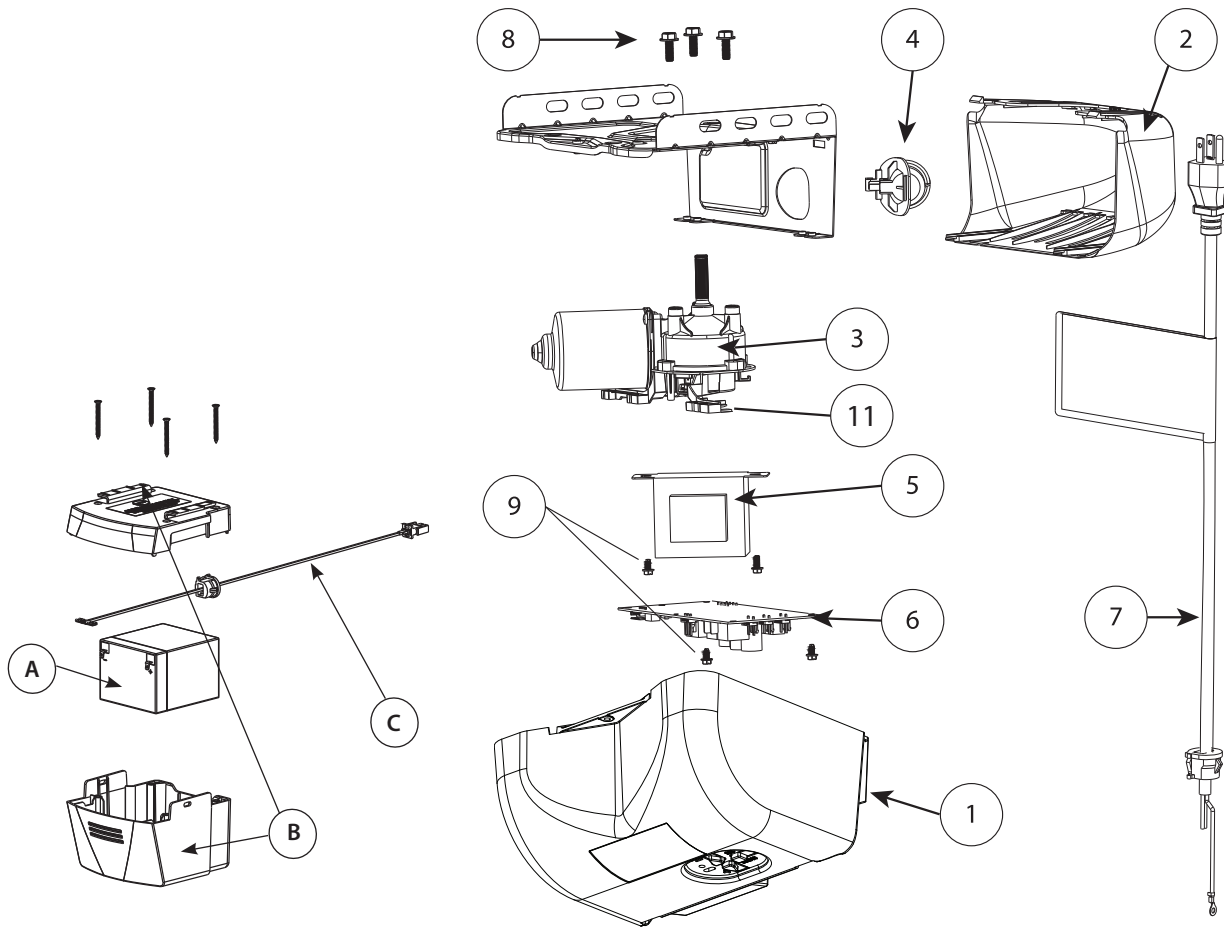
H H indicates 6" cord

These are non BBU units; BBU cannot be added to these models



Ref.	Part Number	Description	Qty
1	41925R.S	Powerhead cover, 1 light, powerheads with green or blue circuit board (Genie)	1
2	38126A.S	Light lens cover, replacement for 1 light, Models	1
3	38644R.S	OBS: Motor assembly, 1 Light, no Wi-Fi, no BBU (NIDEC; includes encoder and wire) (Replaced by 41521T.S)	1
	41521T.S	Motor assembly, 1 Light, no Wi-Fi, no BBU (RIDE; includes encoder and wire)	1
4	38645R.S	Light socket assembly, replacement for 1 light, Models	1
5	39342R.S	Transformer, 120V	1
6	38647R.S	OBS: Green main circuit board assembly, 1 light, no Wi-Fi, no BBU (1XXX, 2XXX, 7XXX Models)(Replaced by 41922R.S)	1
	38647S.S	OBS: Green main circuit board assembly, 1 light, no Wi-Fi, no BBU (2XXX Models) (Replaced by 41922R.S)	1
	41922R.S	Blue main circuit board assembly, 1 or 2 Light, No Wi-Fi, with or without BBU (1XXX 2XXX, 3XXX, 7XXX Models) (Only replace w/ blue board)	1
7	38240A.S	Power cord assembly, 4'	1
	38240B.S	Power cord assembly, 6'	1
8	38437A.S	Screws, M6-1x12 (3pk)	1
9	8706G04.S	Screws, # 8x5/16 (3pk)	1
11	39272R.S	Optical encoder replacement assembly, 1 light, no Wi-Fi, no BBU (NIDEC)	1
	41522R.S	Optical encoder replacement assembly, 1 light, no Wi-Fi, no BBU (RIDE)	1
	38252A.S	Optical encoder wheel only (works with NIDEC or RIDE motors/encoders)	1

**Powerhead: DC Chain or Belt Drive 24V Motor, 1 Light Models (no Wi-Fi, with BBU)**



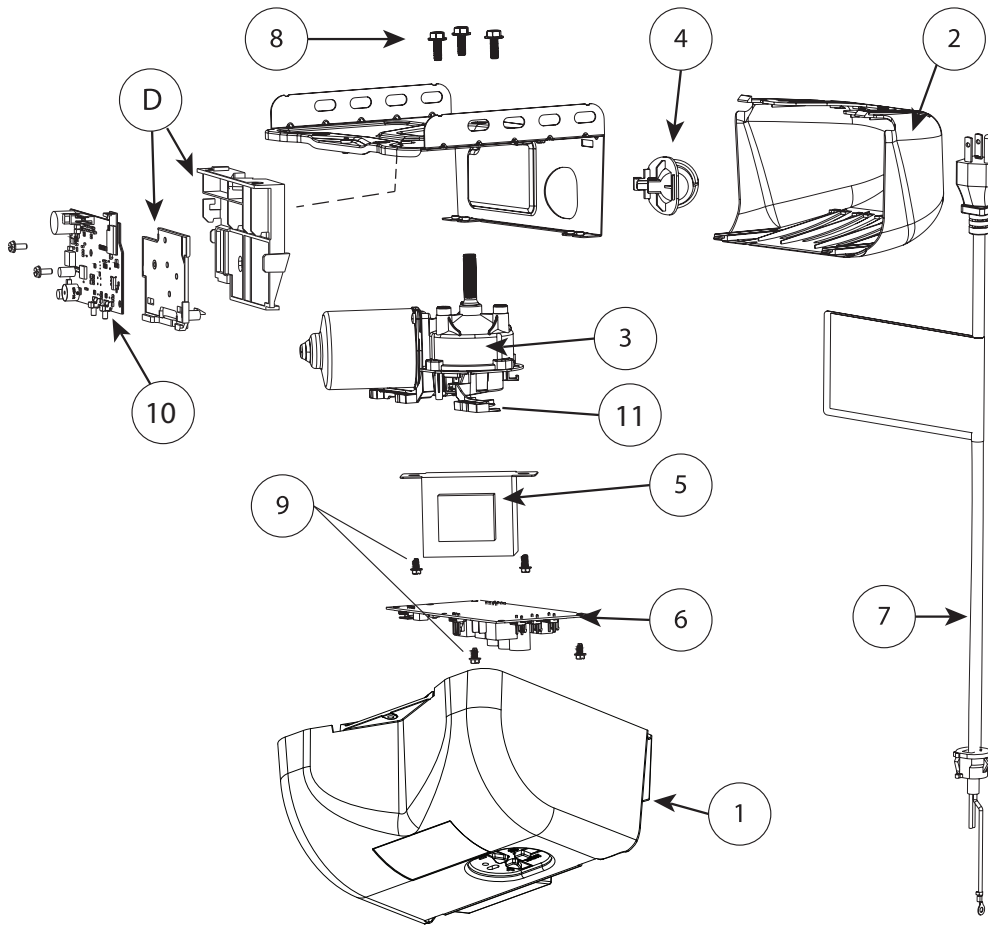
Ref.	Part Number	Description	Qty
1	41925R.S	Powerhead cover, 1 light, powerheads with green or blue circuit board (Genie)	1
2	38126A.S	Light lens cover, replacement for 1 light, Models	1
3	40966R.S	OBS: Motor assembly, 1 Light, with or without Wi-Fi, with or without BBU (NIDEC; includes encoder and wire) (Replaced by 43109R.S)	1
	41521U.S	Motor assembly, 1 Light, with or without Wi-Fi, with or without BBU (RIDE 24V; includes encoder and wire)	1
4	38645R.S	Light socket assembly, replacement for 1 light, Models	1
5	39342R.S	Transformer, 120V	1
6	40976T.S	Green main circuit board assembly, 1 light, with or without Wi-Fi, with BBU (1XXX Models)	1
	40976U.S	Green main circuit board assembly, 1 light, 24V, with or without Wi-Fi, with BBU(2XXX Models)	1
	41922R.S	Blue main circuit board assembly, 1 or 2 Light, No Wi-Fi, with or without BBU (1XXX 2XXX, 3XXX, 7XXX Models) (Only replace w/ blue board)	1
7	38240A.S	Power cord assembly, 4'	1
	38240B.S	Power cord assembly, 6'	1
8	38437A.S	Screws, M6-1x12 (3pk)	1
9	8706G04.S	Screws, # 8x5/16 (3pk)	1
11	39272U.S	Optical encoder replacement assembly, 1 light, with or without Wi-Fi, BBU capable (NIDEC)	1
	41522S.S	Optical encoder replacement assembly, 1 light, with or without Wi-Fi, BBU capable (RIDE)	1
	38252A.S	Optical encoder wheel only (works with NIDEC or RIDE motors/encoders)	1
A	111658.0002.S	Battery ONLY, replacement	1
B	41115R.S	Battery backup assembly (cover, harness and hardware only)	1
C	38936A.S	Harness ONLY, 5.5" (internal; meets BBU chassis harness and connects to main green board)	1
	38936B.S	Harness ONLY, 9" (internal; meets BBU chassis harness and connects to main blue board)	1
NS	40797A.S	Harness ONLY, 43.75" (external; connects BBU to chassis)	1

## Powerhead: DC Chain or Belt Drive 24V Motor, 1 Light Models (with Wi-Fi, no BBU)

\* Integrated Wi-Fi

H H indicates 6" cord

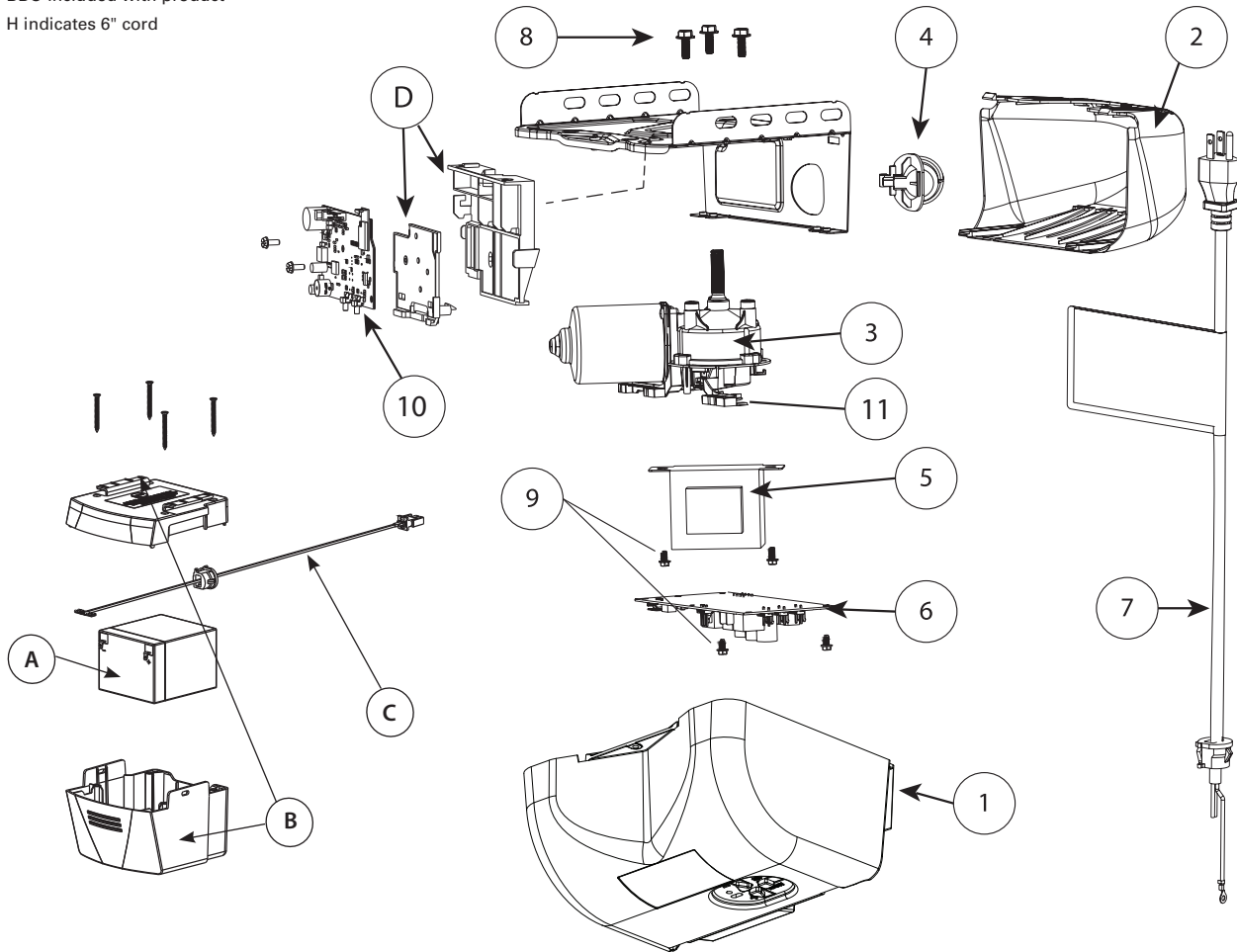
These are non BBU units; BBU cannot be added to these models



Ref.	Part Number	Description	Qty
1	40964R.S	Powerhead cover, 1128, 1128B, 2128, 2128B, 2128HB (with green main circuit board)	1
	41925R.S	Powerhead cover, 1 light, powerheads with green or blue circuit board (Genie)	1
2	38126A.S	Light lens cover, replacement for 1 light, Models	1
3	40966R.S	OBS: Motor assembly, 1 Light, with or without Wi-Fi, with or without BBU (NIDEC; includes encoder and wire) (Replaced by 43109R.S)	1
	41521U.S	Motor assembly, 1 Light, with or without Wi-Fi, with or without BBU (RIDE 24V; includes encoder and wire)	1
4	38645R.S	Light socket assembly, replacement for 1 light, Models	1
5	39342R.S	Transformer, 120V	1
6	40976R.S	Green main circuit board assembly, 1 light, with or without Wi-Fi, with BBU (1XXX Models)(Only replace w/ green board)	1
	40976S.S	Green main circuit board assembly, 1 light, 24V, with or without Wi-Fi, with BBU(2XXX Models)(Only replace w/green board)	1
	41923R.S	Blue main circuit board assembly, 1 or 2 Light, with Wi-Fi, with or without BBU (1XXX, 2XXX, 3XXX, 7XXX Models) (Only replace w/ blue board)	1
7	38240A.S	Power cord assembly, 4'	1
	38240B.S	Power cord assembly, 6'	1
8	38437A.S	Screws, M6-1x12 (3pk)	1
9	8706G04.S	Screws, # 8x5/16 (3pk)	1
10	40988R.S	Wi-Fi board circuit board ONLY (Genie 1 light; for units with a main green circuit board)	1
NS	39613C.S	Harness ONLY, 8.25" (connects Wi-Fi board to main green circuit board)	1
11	39272U.S	Optical encoder replacement assembly, 1 light, with or without Wi-Fi, BBU capable (NIDEC)	1
	41522S.S	Optical encoder replacement assembly, 1 light, with or without Wi-Fi, BBU capable (RIDE)	1
	38252A.S	Optical encoder wheel only (works with NIDEC or RIDE motors/encoders)	1
D	40974R.S	Bracket that holds the Wi-Fi board to the chassis (units with a main green board)	1
NS	40797A.S	Harness ONLY, 43.75" (external; connects BBU to chassis)	1

Powerhead: DC Chain or Belt Drive 24V Motor, 1 Light Models (with Wi-Fi, with BBU)

\* Integrated Wi-Fi  
B or -B BBU included with product  
H H indicates 6" cord



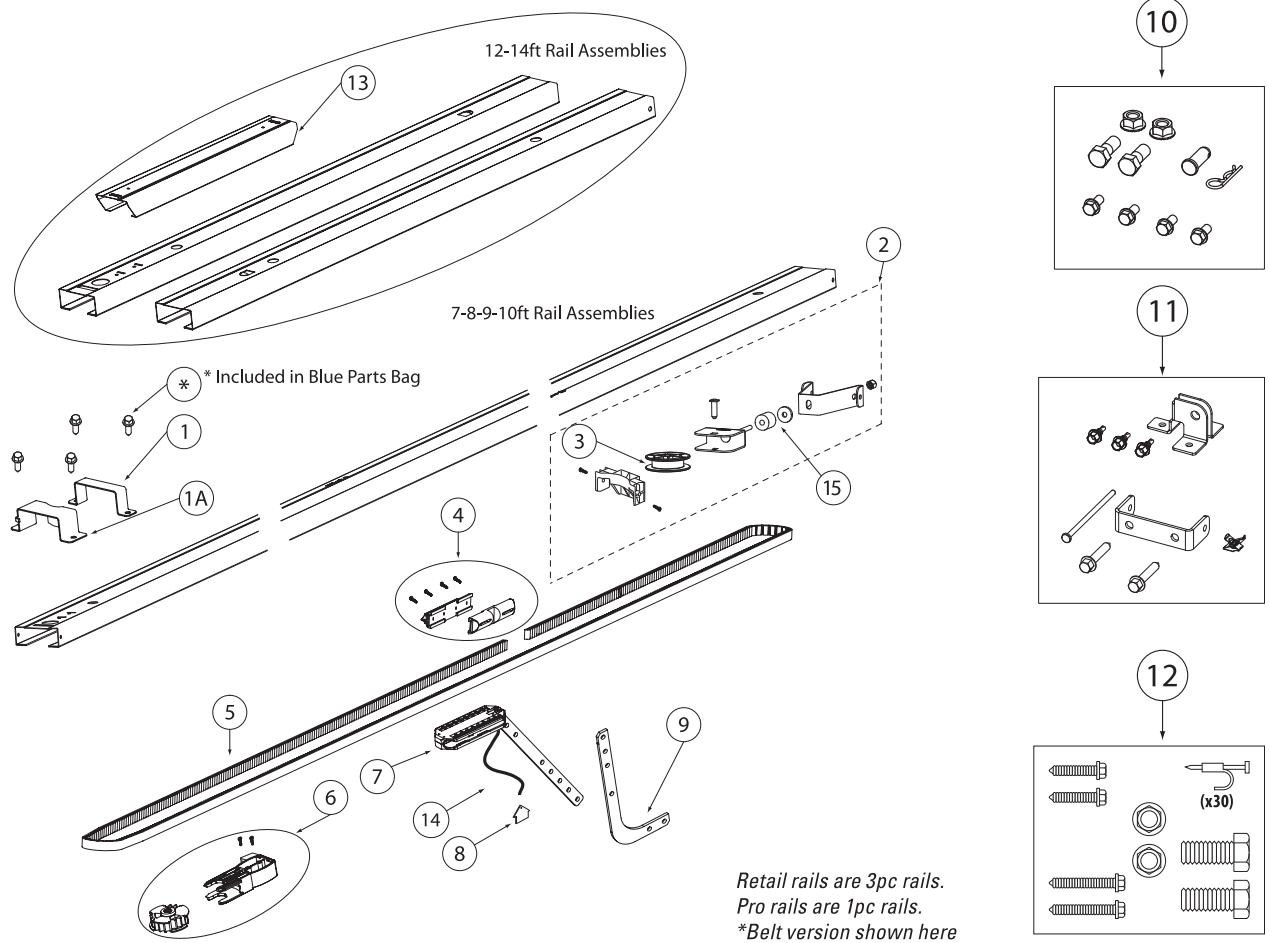
Ref.	Part Number	Description	Qty
1	40964R.S	Powerhead cover, 1128, 1128B, 2128, 2128B, 2128HB (with green main circuit board)	1
	41925R.S	Powerhead cover, 1 light, powerheads with green or blue circuit board (Genie)	1
2	38126A.S	Light lens cover, replacement for 1 light, Models	1
3	40966R.S	OBS: Motor assembly, 1 Light, with or without Wi-Fi, with or without BBU (NIDEC; includes encoder and wire) (Replaced by 43109R.S)	1
	41521U.S	Motor assembly, 1 Light, with or without Wi-Fi, with or without BBU (RIDE 24V; includes encoder and wire)	1
4	38645R.S	Light socket assembly, replacement for 1 light, Models	1
5	39342R.S	Transformer, 120V	1
6	40976T.S	Green main circuit board assembly, 1 light, with or without Wi-Fi, with BBU (1XXX Models)(Only replace w/ green board)	1
	40976U.S	Green main circuit board assembly, 1 light, 24V, with or without Wi-Fi, with BBU(2XXX Models)(Only replace w/green board)	1
	41923R.S	Blue main circuit board assembly, 1 or 2 Light, with Wi-Fi, with or without BBU (1XXX, 2XXX, 3XXX, 7XXX Models)(Only replace w/ blue board)	1
7	38240A.S	Power cord assembly, 4'	1
	38240B.S	Power cord assembly, 6'	1
8	38437A.S	Screws, M6-1x12 (3pk)	1
9	8706G04.S	Screws, # 8x5/16 (3pk)	1
10	40988R.S	Wi-Fi board circuit board ONLY (Genie 1 light; for units with a main green circuit board)	1
NS	39613C.S	Harness ONLY, 8.25" (connects Wi-Fi board to main green circuit board)	1
11	39272U.S	Optical encoder replacement assembly, 1 light, with or without Wi-Fi, BBU capable (NIDEC)	1
	41522S.S	Optical encoder replacement assembly, 1 light, with or without Wi-Fi, BBU capable (RIDE)	1
	38252A.S	Optical encoder wheel only (works with NIDEC or RIDE motors/encoders)	1
A	111658.0002.S	Battery ONLY, replacement	1
B	41115R.S	Battery backup assembly (cover, harness and hardware only)	1
C	38936A.S	Harness ONLY, 5.5" (internal; meets BBU chassis harness and connects to main green board)	1
	38936B.S	Harness ONLY, 9" (internal; meets BBU chassis harness and connects to main blue board)	1
D	40974R.S	Bracket that holds the Wi-Fi board to the chassis (units with a main green board)	1
NS	40797A.S	Harness ONLY, 43.75" (external; connects BBU to chassis)	1



Quantities shown reflect total pieces needed.  
Prices charged are per each piece.

OBS = Obsolete Item  
NSS = Not Sold Separately  
NS = Not Shown

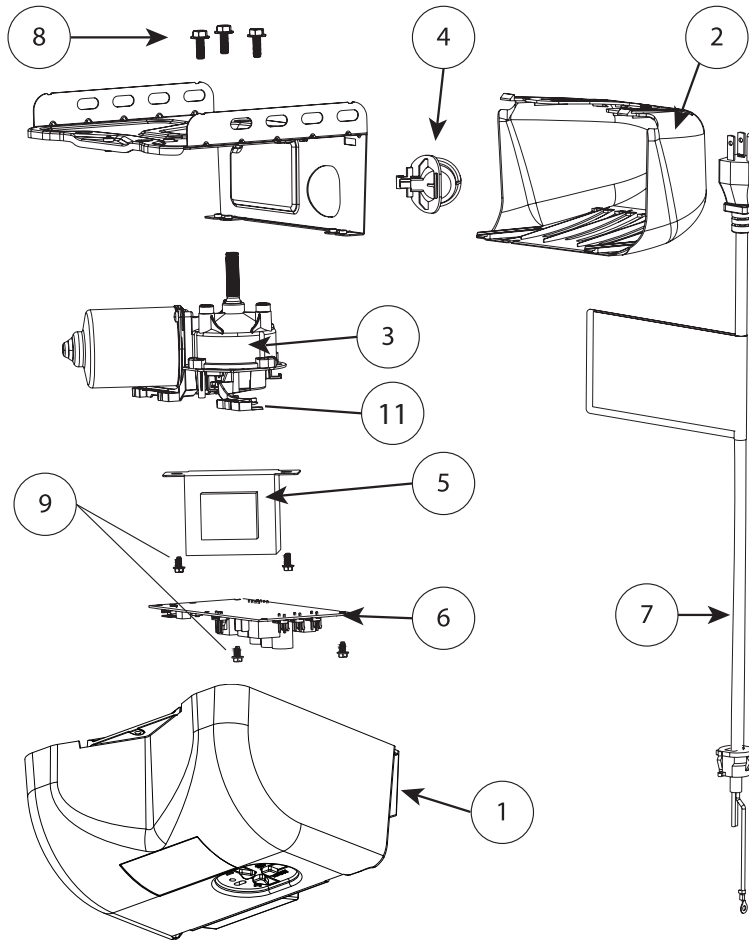
## Rails: C-Channel Style, Chain and Belt Drive for Models (1pc and 3pc)



Ref.	Part Number	Description	Qty	Ref.	Part Number	Description	Qty
1	36728A.S	Head to rail bracket (need 2 for chain, 1 for belt)	1	6	37559R.S	Chain drive sprocket assembly	1
1A	36987A.S	Head to rail bracket belt guard (for belt only)	1		37558R.S	Belt drive sprocket assembly	1
2	37857R.S	Tensioner assembly	1	7	36773R.S	Carriage assembly, 7 ft doors	1
3	39591A.S	Pulley tensioner	1		36773S.S	Carriage assembly, 8 ft doors	1
4	37557R.S	Chain bullet assembly	1		36773T.S	Carriage assembly, 9, 10, 12, 14 ft doors	1
	37556R.S	Belt bullet assembly	1	8	37107C.S	Carriage release handle	1
5	37562R.S	Chain & bullet assembly, 7 ft	1	9	37476A.S	Door Arm, Curved	1
	37562S.S	Chain & bullet assembly, 8 ft	1	10	37049R.S	Installation parts pack (Blue bag)	1
	37562T.S	Chain & bullet assembly, 10 ft (292")	1	11	37047R.S	Mounting parts pack (Orange Bag)	1
	39381R.S	Chain & bullet assembly, 10 ft (303")	1	12	37105R.S	Hanging hardware parts pack (Green Bag, Retail)	1
	37562U.S	Chain & bullet assembly, 12 ft (340")	1	13	38178R.S	Parts pack, rail connector (12ft-14ft Rails)	1
	39381S.S	Chain & bullet assembly, 12 ft (351")	1	14	37461U.S	Release cord assembly, 7' (32")	1
	37562V.S	Chain & bullet assembly, 14 ft (388")	1		37461V.S	Release cord assembly, 8' (44")	1
	39381T.S	Chain & bullet assembly, 14 ft (399")	1		37461W.S	Release cord assembly, 9-14' (116")	1
	37561R.S	Belt & bullet assembly, 7 ft	1	15	36028A.S	Damping Spring	1
	37561S.S	Belt & bullet assembly, 8 ft	1	NS	37216R.S	Rail Support Kit (12ft-14ft Rails, clips and collars included)	1
	37561W.S	Belt & bullet assembly, 9 ft (268")	1	NS	37714S.S	Wire clips, (50 pcs) attach wire to rail	1
	39380U.S	Belt & bullet assembly, 9 ft (279")	1	NS	42240R.S	Wire clips, large fitted (4pk) attach wire to rail	1
	37561T.S	Belt & bullet assembly, 10 ft (292")	1	NS	42240S.S	Wire clips, large fitted (50pk) attach wire to rail	1
	39380R.S	Belt & bullet assembly, 10 ft (303")	1	NS	37301R	ACCESSORY: Rail Extender Kit, 8' Chain (for 7' Retail Rail Only)	1
	37561U.S	Belt & bullet assembly, 12 ft (340")	1	NS	37302R	ACCESSORY: Rail Extender Kit, 8' Belt (for 7' Retail Rail Only)	1
	39380S.S	Belt & bullet assembly, 12 ft (351")	1	NS	38245R.S	3PC Service rail, c-channel chain drive rail	1
	37561V.S	Belt & bullet assembly, 14 ft (388")	1	NS	38246R.S	3PC Service rail, c-channel belt drive rail	1
	39380T.S	Belt & bullet assembly, 14 ft (399")	1				

## Powerhead: DC Chain or Belt Drive 18V Motor, 1 Light Models (no Wi-Fi, no BBU)

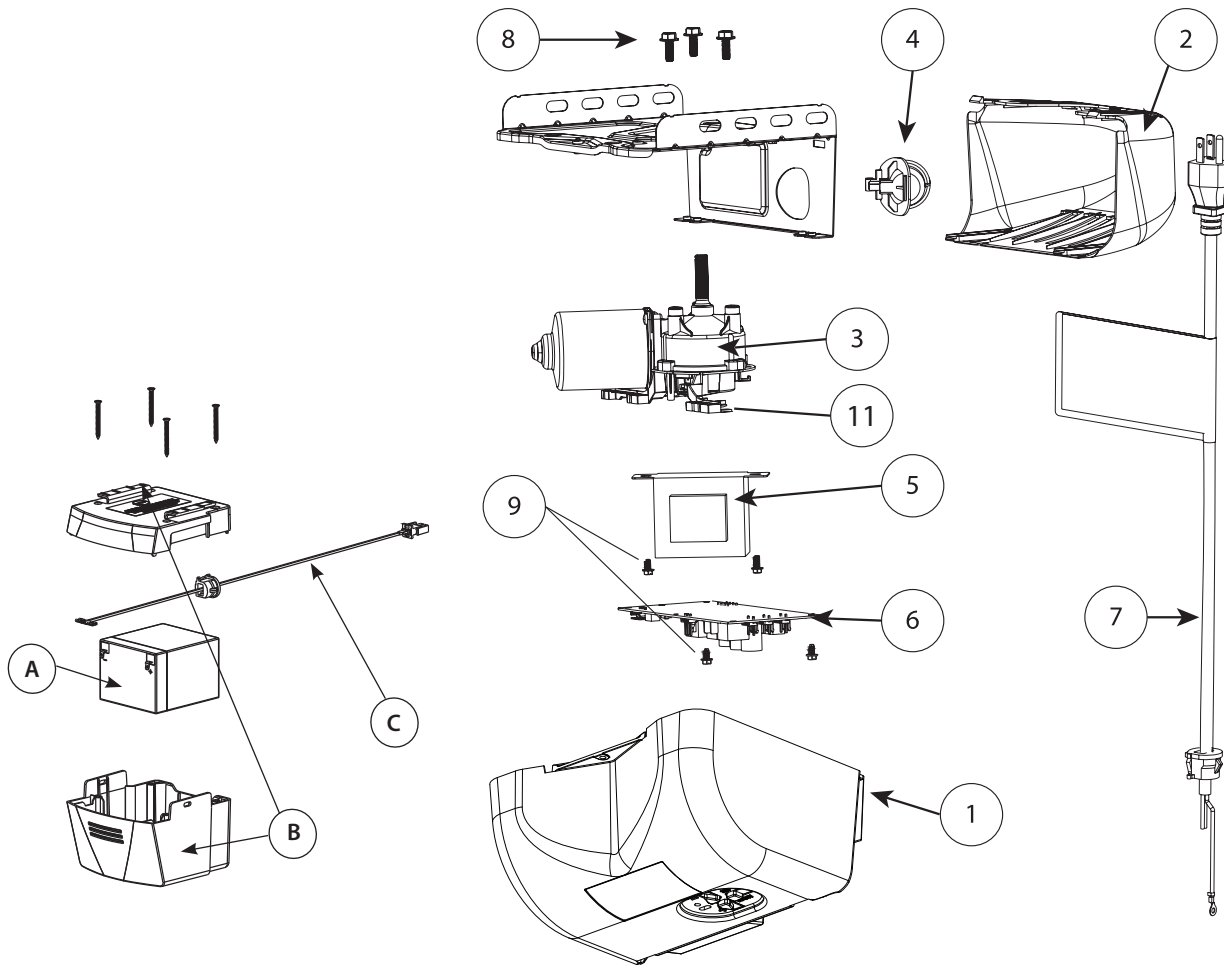
These are non BBU units; BBU cannot be added to these models



Ref.	Part Number	Description	Qty
1	41925R.S	Powerhead cover, 1 light, powerheads with green or blue circuit board (Genie)	1
2	38126A.S	Light lens cover, replacement for 1 light, Models	1
3	38644R.S	OBS: Motor assembly, 1 Light, no Wi-Fi, no BBU (NIDEC; includes encoder and wire) (Replaced by 41521T.S)	1
	41521T.S	Motor assembly, 1 Light, no Wi-Fi, no BBU (RIDE; includes encoder and wire)	1
4	38645R.S	Light socket assembly, replacement for 1 light, Models	1
5	39342R.S	Transformer, 120V	1
6	38647R.S	OBS: Green main circuit board assembly, 1 light, no Wi-Fi, no BBU (1XXX, 2XXX, 7XXX Models)(Replaced by 41922R.S)	1
	41922R.S	Blue main circuit board assembly, 1 or 2 Light, No Wi-Fi, with or without BBU (1XXX 2XXX, 3XXX, 7XXX Models) (Only replace w/ blue board)	1
7	38240A.S	Power cord assembly, 4'	1
8	38437A.S	Screws, M6-1x12 (3pk)	1
9	8706G04.S	Screws, # 8x5/16 (3pk)	2
11	39272R.S	Optical encoder replacement assembly, 1 light, no Wi-Fi, no BBU (NIDEC)	1
	41522R.S	Optical encoder replacement assembly, 1 light, no Wi-Fi, no BBU (RIDE)	1
	38252A.S	Optical encoder wheel only (works with NIDEC or RIDE motors/encoders)	1

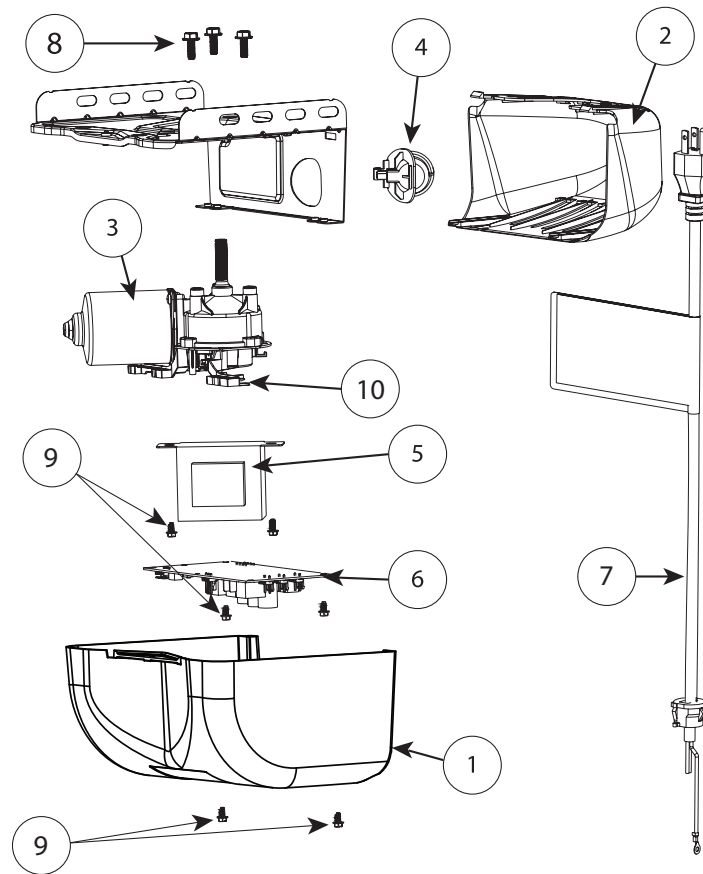
## Powerhead: DC Chain or Belt Drive 18V Motor, 1 Light Models (no Wi-Fi, with BBU)

B or -B BBU included with product



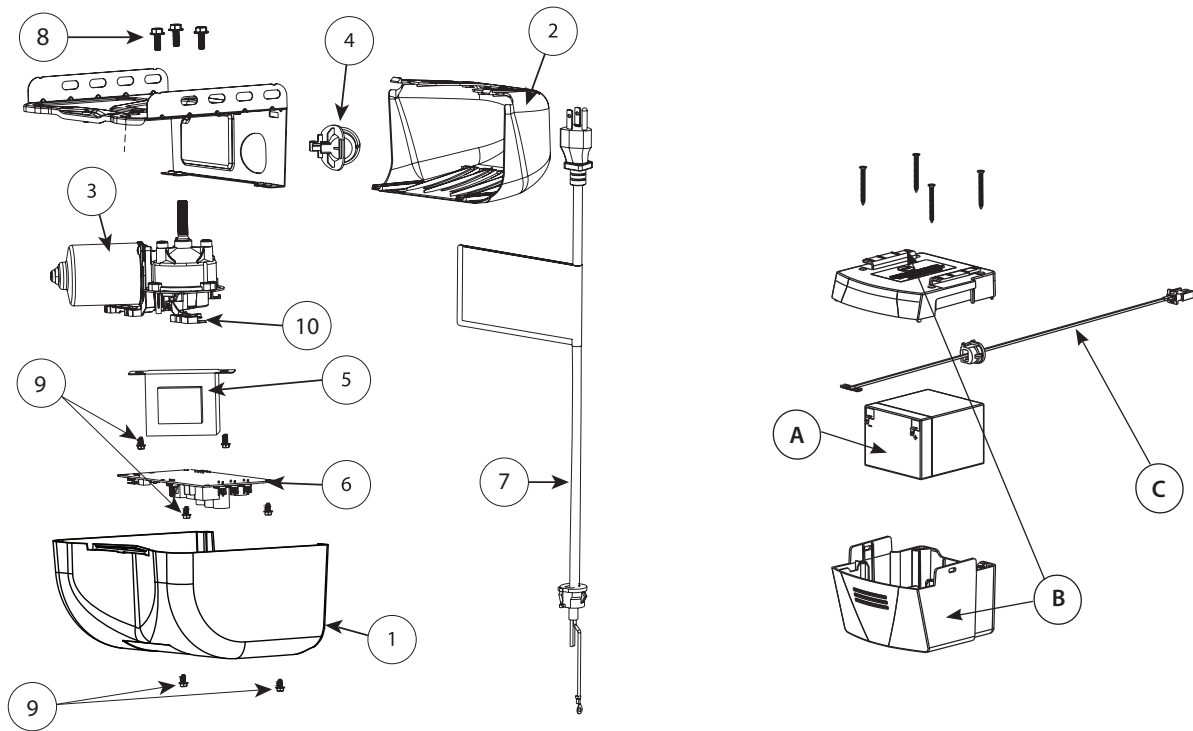
Ref.	Part Number	Description	Qty
1	38648T.S	OBS: Powerhead cover, 1 light, with or without BBU, no Wi-Fi (for units with green main circuit board)	1
	41925R.S	Powerhead cover, 1 light, powerheads with green or blue circuit board (Genie)	1
2	38126A.S	Light lens cover, replacement for 1 light, Models	1
3	40966R.S	OBS: Motor assembly, 1 Light, with or without Wi-Fi, with or without BBU (NIDEC; includes encoder and wire) (Replaced by 43109R.S)	1
	41521S.S	Motor assembly, 1 light, no Wi-Fi, with or without BBU (RIDE)	1
4	38645R.S	Light socket assembly, replacement for 1 light, Models	1
5	39342R.S	Transformer, 120V	1
6	40976T.S	Green main circuit board assembly, 1 light, with or without Wi-Fi, with BBU (1XXX Models)	1
	41922R.S	Blue main circuit board assembly, 1 or 2 Light, No Wi-Fi, with or without BBU (1XXX 2XXX, 3XXX, 7XXX Models) (Only replace w/ blue board)	1
7	38240A.S	Power cord assembly, 4'	1
8	38437A.S	Screws, M6-1x12 (3pk)	1
9	8706G04.S	Screws, # 8x5/16 (3pk)	2
11	39272U.S	Optical encoder replacement assembly, 1 light, with or without Wi-Fi, BBU capable (NIDEC)	1
	41522S.S	Optical encoder replacement assembly, 1 light, with or without Wi-Fi, BBU capable (RIDE)	1
	38252A.S	Optical encoder wheel only (works with NIDEC or RIDE motors/encoders)	1
A	111658.0002.S	Battery ONLY, replacement	1
B	41115R.S	Battery backup assembly (cover, harness and hardware only)	1
C	38936A.S	Harness ONLY, 5.5" (internal; meets BBU chassis harness and connects to main green board)	1
	38936B.S	Harness ONLY, 9" (internal; meets BBU chassis harness and connects to main blue board)	1
NS	40797A.S	Harness ONLY, 43.75" (external; connects BBU to chassis)	1

Powerhead: DC Chain or Belt Drive 18V Motor, 1 Light Models (with Wi-Fi, no BBU)



Ref.	Part Number	Description	Qty
1	41925R.S	Powerhead cover, 1 light, powerheads with green or blue circuit board (Genie)	1
2	38126A.S	Light lens cover, replacement for 1 light, Models	1
3	43109R.S	Motor assembly, 1 Light, with or without Wi-Fi, with or without BBU (includes encoder and wire)	1
4	38645R.S	Light socket assembly, replacement for 1 light, Models	1
5	39342R.S	Transformer, 120V	1
6	40976R.S	Green main circuit board assembly, 1 light, with Wi-Fi, no BBU (1XXX Models)(Only replace w/ green board)	1
	41923R.S	Blue main circuit board assembly, 1 or 2 Light, with Wi-Fi, with or without BBU (1XXX, 2XXX, 3XXX, 7XXX Models) (Only replace w/ blue board)	1
	40988R.S	WI-Fi Board circuit board ONLY (Genie 1 light; for units with a main green circuit board)	
7	38240A.S	Power cord assembly, 4'	1
8	38437A.S	Screws, M6-1x12 (3pk)	1
9	8706G04.S	Screws, # 8x5/16 (3pk)	1
10	41522S.S	Optical encoder replacement assembly, 1 light, with or without Wi-Fi, BBU capable (RIDE)	1
	38252A.S	Optical encoder wheel only (works with NIDEC or RIDE motors/encoders)	1

**Powerhead: DC Chain or Belt Drive 18V Motor, 1 Light Models (with Wi-Fi, with BBU)**

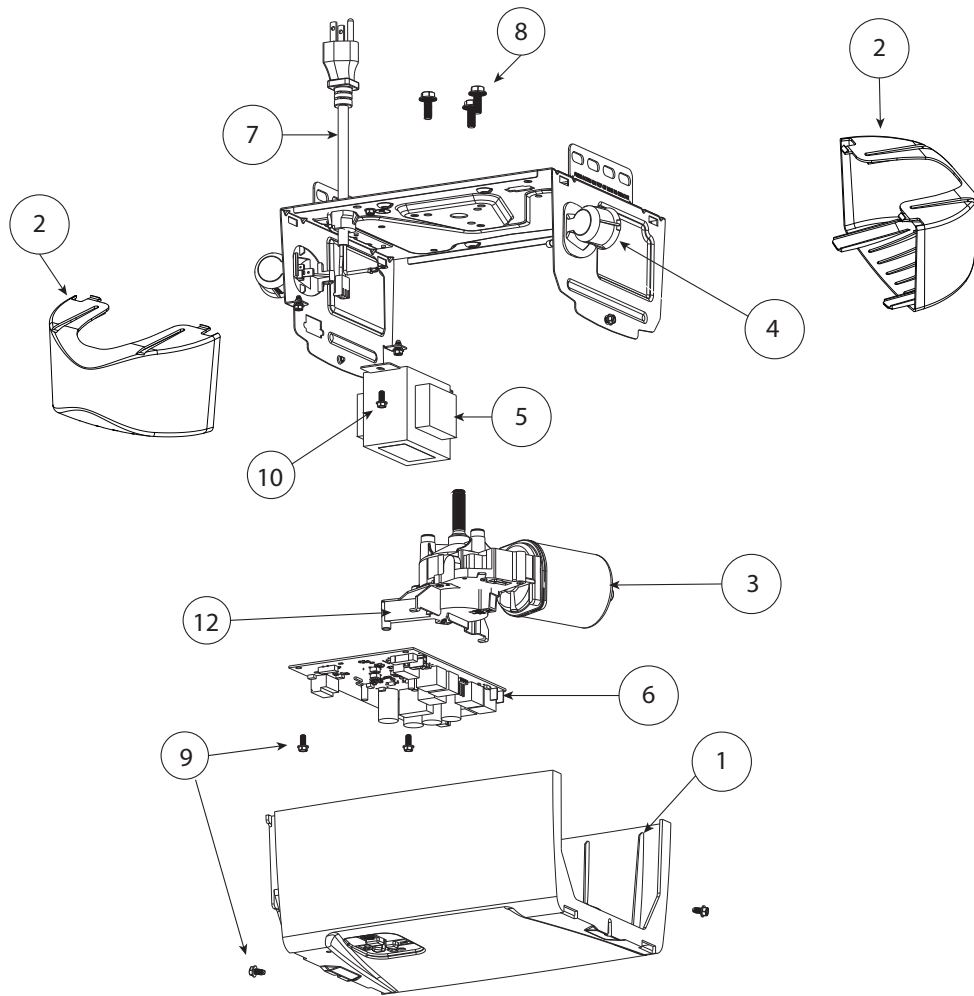


Ref.	Part Number	Description	Qty
1	41925R.S	Powerhead cover, 1 light, powerheads with green or blue circuit board (Genie)	1
2	38126A.S	Light lens cover, replacement for 1 light, Models	1
3	43109R.S	Motor assembly, 1 Light, with or without Wi-Fi, with or without BBU (includes encoder and wire)	1
	40966R.S	OBS: Motor assembly, 1 Light, with or without Wi-Fi, with or without BBU (NIDEC; includes encoder and wire) (Replaced by 43109R.S)	
4	38645R.S	Light socket assembly, replacement for 1 light, Models	1
5	39342R.S	Transformer, 120V	1
6	41923R.S	Blue main circuit board assembly, 1 or 2 Light, with Wi-Fi, with or without BBU (1XXX, 2XXX, 3XXX, 7XXX Models) (Only replace w/ blue board)	1
	40976T.S	Green main circuit board assembly, 1 light, with or without Wi-Fi, with BBU (1XXX Models)(Only replace w/ green board)	
	40988R.S	WI-FI Board circuit board ONLY (Genie 1 light; for units with a main green circuit board)	
7	38240A.S	Power cord assembly, 4'	1
8	38437A.S	Screws, M6-1x12 (3pk)	1
9	8706G04.S	Screws, # 8x5/16 (3pk)	1
10	41522S.S	Optical encoder replacement assembly, 1 light, with or without Wi-Fi, BBU capable (RIDE)	2
	38252A.S	Optical encoder wheel only (works with NIDEC or RIDE motors/encoders)	1
A	111658.0002.S	Battery ONLY, replacement	1
B	41115R.S	Battery backup assembly (cover, harness and hardware only)	1
C	38936A.S	Harness ONLY, 5.5" (internal; meets BBU chassis harness and connects to main green board)	1
	38936B.S	Harness ONLY, 9" (internal; meets BBU chassis harness and connects to main blue board)	1

## Powerhead: DC Chain or Belt Drive 18V Motor, 2 Light Models (no Wi-Fi, no BBU)

These are non BBU units; BBU cannot be added to these models

D THD Retailer Specific



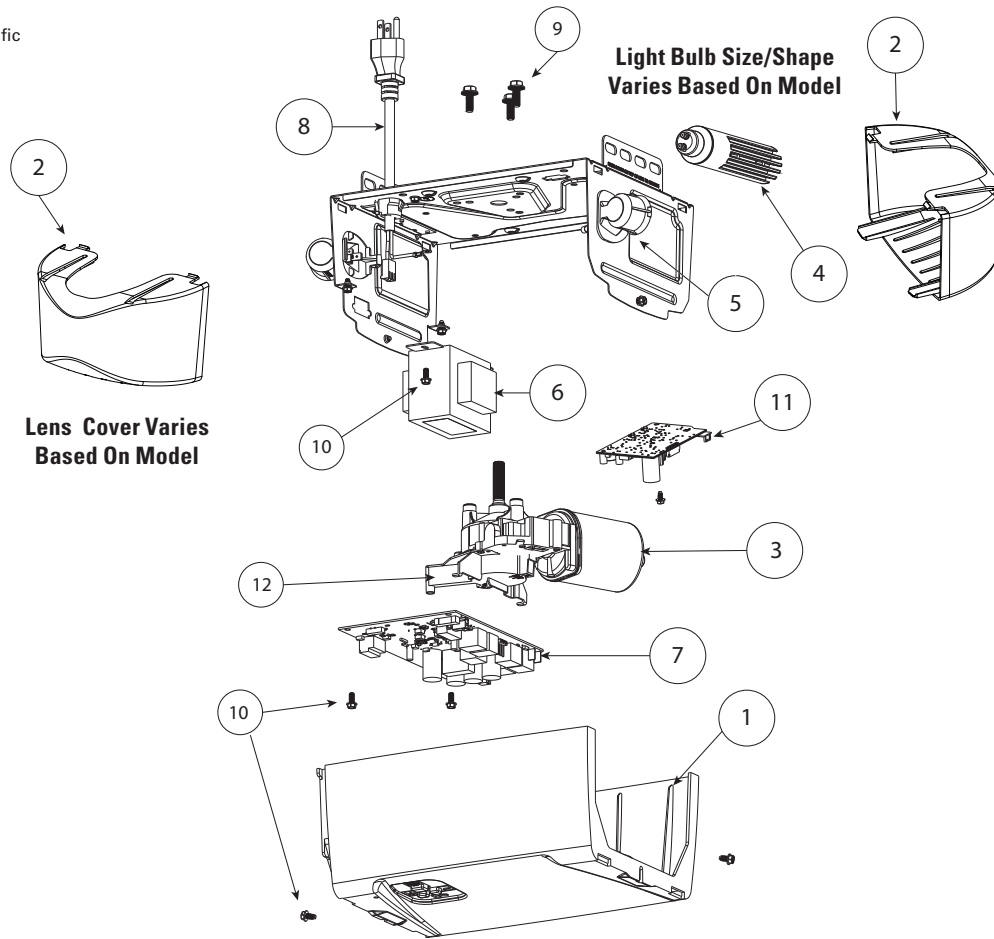
Ref.	Part Number	Description	Qty
1	39356R.S	Powerhead cover, 2035	1
	39356S.S	Powerhead cover, 2055	1
	39356W.S	Powerhead cover, 3035	1
	39356V.S	Powerhead cover, 3055	1
	41932R.S	Powerhead cover, 2 light model, no Wi-Fi, no BBU (non-D models)	1
	41717R.S	Powerhead cover, any D Models	1
2	38911A.S	Light lens cover, replacement for 2 light, non-D and non-L Models	1
	41689R.S	Light lens cover, replacement for 2 light, D Models (2pc design)	1
3	39338R.S	OBS: Motor assembly, 2 light, no Wi-Fi, no BBU (NIDEC; includes encoder and wire)	1
	41182S.S	Motor assembly, 2 light, no Wi-Fi, with or without BBU (RIDE 18V)	1
5	39342R.S	Transformer, 120V	1
6	39340R.S	OBS: Green main circuit board assembly, 2 light, no WiFi, no BBU (2XXX and 3XXX Models) (Replaced by 41922R.S) (Only replace w/green board)	1
	41922R.S	Blue main circuit board assembly, 1 or 2 Light, No Wi-Fi, with or without BBU (1XXX 2XXX, 3XXX, 7XXX Models) (Only replace w/ blue board)	1
7	39346R.S	Power cord assembly	1
8	38437A.S	Screws, M6-1x12 (3pk)	1
9	8706G04.S	Screws, # 8x5/16 (3pk)	2

**Professional Line Models:**

**Retail Line Models: 2033\*, 3053\*, 3155\*, 3155L\*, 3155D\*, 3155LD\***

**Powerhead: DC Chain or Belt Drive 18V Motor, 2 Light Models (with Wi-Fi, no BBU)**

- \* Integrated Wi-Fi
- L Integrated LED
- D THD Retailer Specific



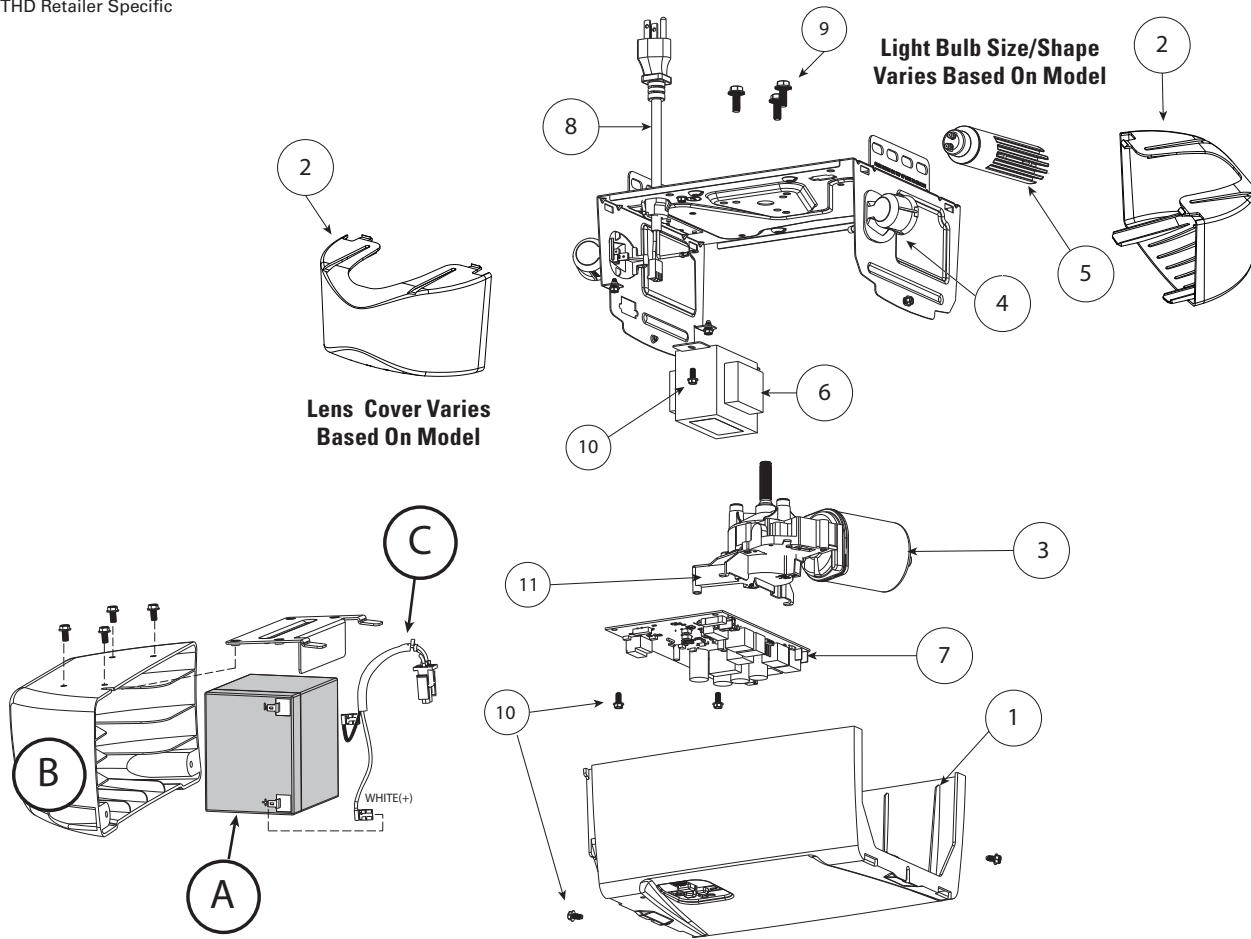
Ref.	Part Number	Description	Qty
1	39356X.S	Powerhead cover, 2033	1
	39729R.S	Powerhead cover, 3053	1
	41308R.S	Powerhead cover, 3155D	1
	41932R.S	Powerhead cover, 2 light model, no Wi-Fi, no BBU (non-D models)	1
	41717R.S	Powerhead cover, any D Models	1
2	38911A.S	Light lens cover, replacement for 2 light, non-D and non-L Models	1
	41689R.S	Light lens cover, replacement for 2 light, D Models (2pc design)	1
	39612A.S	Light lens cover, replacement for 2 light, L Models (Retail)	1
3	39730R.S	OBS: Motor assembly, 2 Light, Wi-Fi, with or without BBU (NIDEC; includes encoder and wire) (Replaced by 41182T.S)	1
	41182T.S	Motor assembly, 2 light, Wi-Fi, with or without BBU (RIDE 18V)	1
4	39718A.S	LED Module replacement for L Models (Lightbulb)	1
5	39344R.S	Light socket assembly, replacement for 2 light, Models, non-L Models	1
	39719A.S	Light socket assembly, replacement for 1 or 2 light, L Models	1
6	39342R.S	Transformer, 120V	1
7	39731R.S	Green main circuit board assembly, 2 Light, Wi-Fi, with or without BBU(Only replace w/ green board)	1
	41923R.S	Blue main circuit board assembly, 1 or 2 Light, with Wi-Fi, with or without BBU (1XXX, 2XXX, 3XXX, 7XXX Models)(Only replace w/ blue board)	1
8	39346R.S	Power cord assembly	1
9	38437A.S	Screws, M6-1x12 (3pk)	1
10	8706G04.S	Screws, # 8x5/16 (3pk)	2
11	39732R.S	Wi-Fi circuit board assembly ONLY (Genie 2 light; for units with a main green circuit board)	1
NS	39613A.S	Harness ONLY, 6" (connect Wi-Fi board to main green circuit board)	1
12	39735R.S	Optical encoder replacement assembly, 2 light, with Wi-Fi, with or without BBU (NIDEC)	1
	41263R.S	Optical encoder replacement assembly, 2 light, with Wi-Fi, with or without BBU (RIDE)	1
	38252A.S	Optical encoder wheel only (works with NIDEC or RIDE motors/encoders)	1



## Powerhead: DC Chain or Belt Drive 18V Motor, 2 Light Models (no Wi-Fi, with BBU)

7XXX Models that start with "7" have a BBU included

D THD Retailer Specific



Ref.	Part Number	Description	Qty
1	39356U.S	Powerhead cover, 7035	1
	39356T.S	Powerhead cover, 7055	1
	41932R.S	Powerhead cover, 2 light model, no Wi-Fi, no BBU (non-D models)	1
	41717R.S	Powerhead cover, any D Models	1
2	38911A.S	Light lens cover, replacement for 2 light, non-D and non-L Models	1
	41689R.S	Light lens cover, replacement for 2 light, D Models (2pc design)	1
	39612A.S	Light lens cover, replacement for 2 light, L Models (Retail)	1
3	39338S.S	OBS: Motor assembly, 2 light, no Wi-Fi, with or without BBU (NIDEC; includes encoder and wire) (Replaced by 41182S.S)	1
	41182S.S	Motor assembly, 2 light, no Wi-Fi, with or without BBU (RIDE)	1
4	39344R.S	Light socket assembly, replacement for 2 light, Models, non-L Models	1
	39719A.S	Light socket assembly, replacement for 1 or 2 light, L Models	1
5	39718A.S	LED Module replacement for L Models (Lightbulb)	1
6	39342R.S	Transformer, 120V	1
7	39340S.S	OBS: Green main circuit board assembly, 2 light, non-Wi-Fi, with or without BBU (Replaced by 41922R.S)	1
	41922R.S	Blue main circuit board assembly, 1 or 2 Light, No Wi-Fi, with or without BBU (1XXX 2XXX, 3XXX, 7XXX Models) (Only replace w/ blue board)	1
8	39346R.S	Power cord assembly	1
9	38437A.S	Screws, M6-1x12 (3pk)	1
10	8706G04.S	Screws, # 8x5/16 (3pk)	2
A	111658.0002.S	Battery ONLY, replacement	1
B	39577R.S	Battery backup hardware for 7XXX Models WITHOUT a "D" (contains all items except replacement battery)	1
	41095R.S	Battery backup hardware for 7XXX Models WITH a "D" (contains all items except replacement battery)	1
C	38935A.S	Harness ONLY, 8.5" (external; connects BBU to chassis)	1
NS	38936A.S	Harness ONLY, 5.5" (internal; meets BBU chassis harness and connects to main green board)	1
	38936B.S	Harness ONLY, 9" (internal; meets BBU chassis harness and connects to main blue board)	1

**Professional Line Models:**

**Retail Line Models: 7053L\*, 7135\*, 7155\*, 7155L\*, 7155D\***

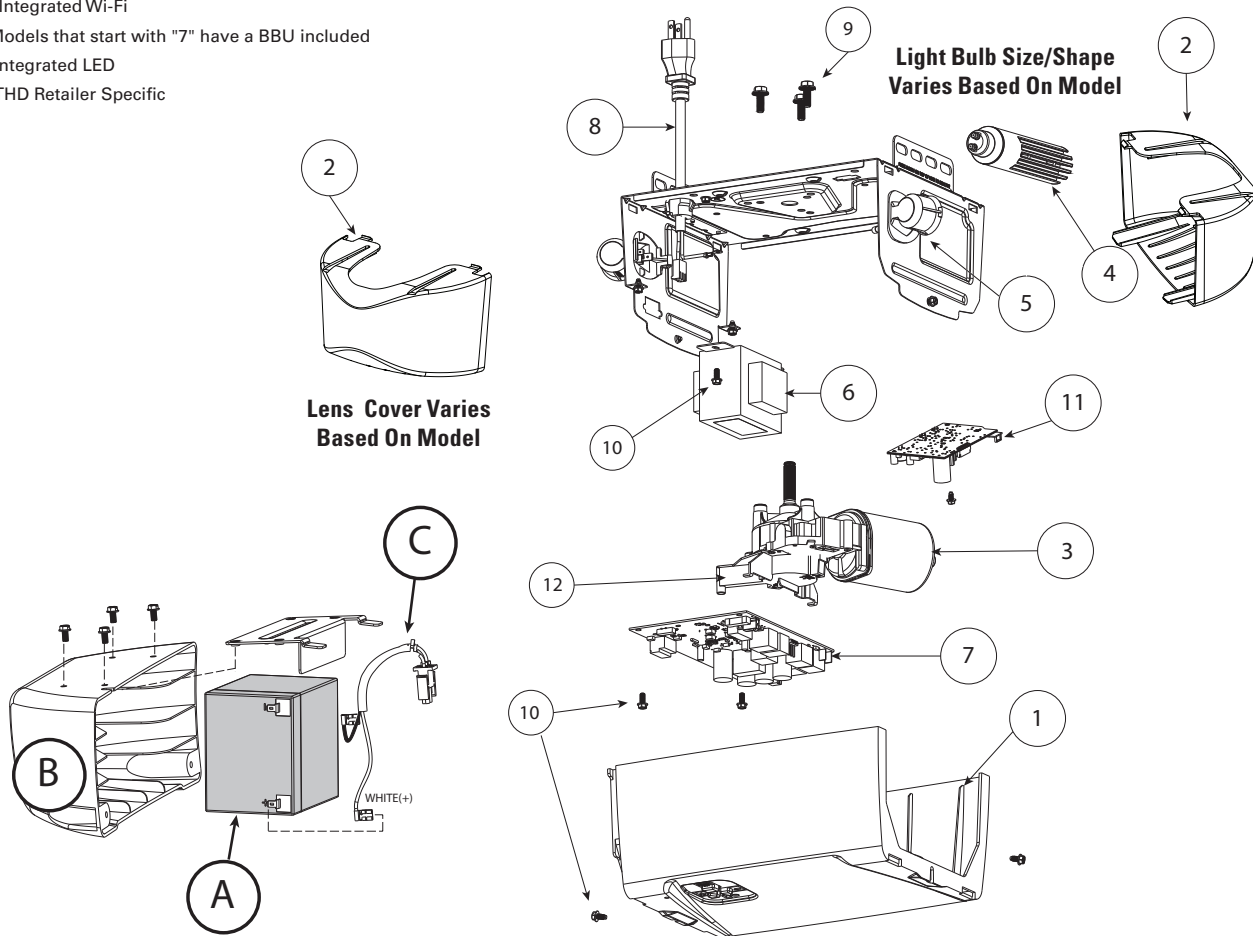
**Powerhead: DC Chain or Belt Drive 18V Motor, 2 Light Models (with Wi-Fi, with BBU)**

\* Integrated Wi-Fi

7XXX Models that start with "7" have a BBU included

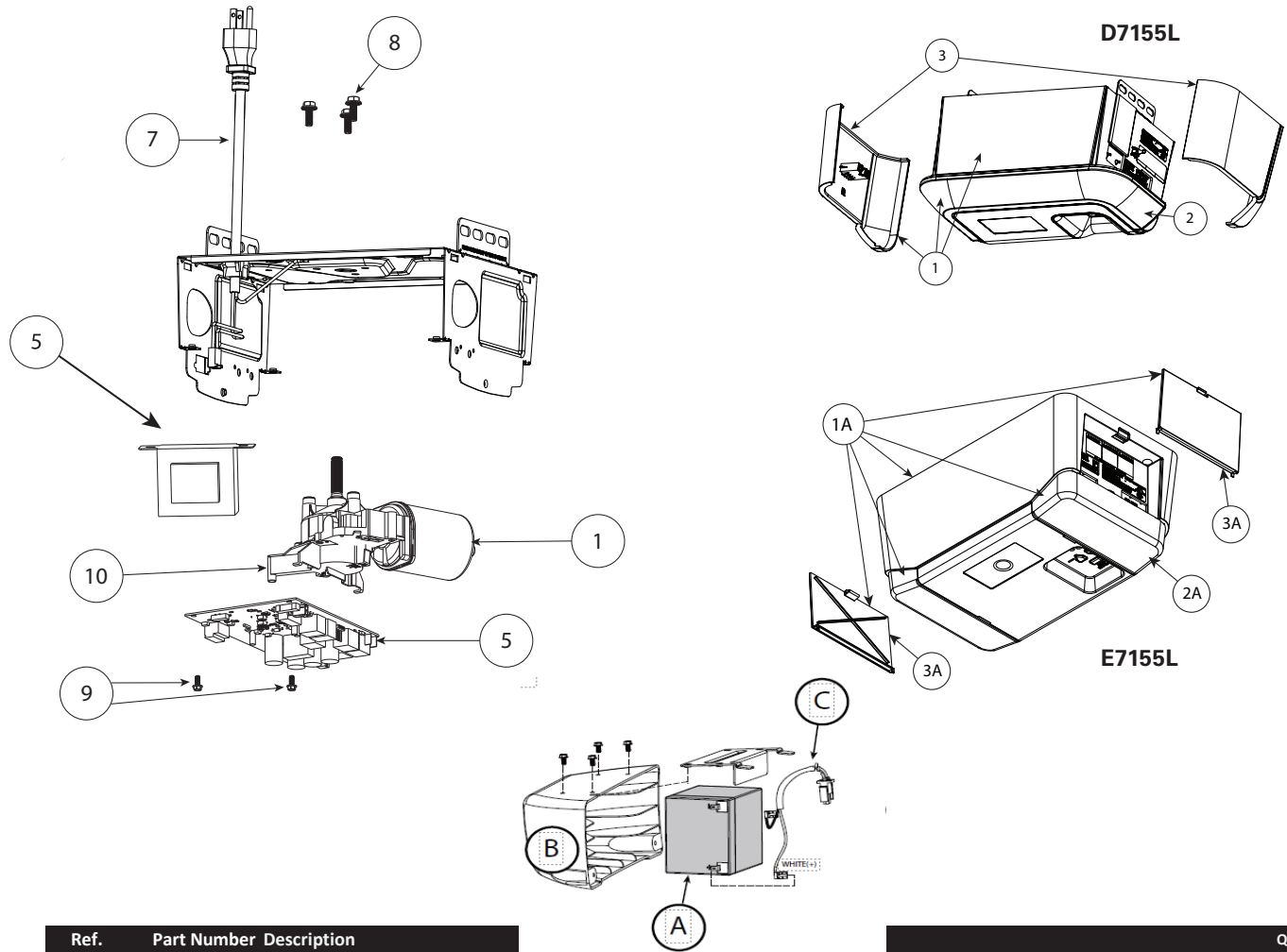
L Integrated LED

D THD Retailer Specific



Ref.	Part Number	Description	Qty
1	41932R.S	Powerhead cover, 2 light model, no Wi-Fi, no BBU (non-D models)	1
	41717R.S	Powerhead cover, any D Models	1
2	38911A.S	Light lens cover, replacement for 2 light, non-D and non-L Models	1
	41689R.S	Light lens cover, replacement for 2 light, D Models (2pc design)	1
	39612A.S	Light lens cover, replacement for 2 light, L Models (Retail)	1
3	39730R.S	OBS: Motor assembly, 2 Light, Wi-Fi, with or without BBU (NIDEC; includes encoder and wire) (Replaced by 41182T.S)	1
	41182T.S	Motor assembly, 2 light, Wi-Fi, with or without BBU (RIDE)	1
4	39718A.S	LED Module replacement for L Models (Lightbulb)	1
5	39344R.S	Light socket assembly, replacement for 2 light, Models, non-L Models	1
	39719A.S	Light socket assembly, replacement for 1 or 2 light, L Models	1
6	39342R.S	Transformer, 120V	1
7	39731R.S	Green main circuit board assembly, 2 Light, Wi-Fi, with or without BBU(Only replace w/ green board)	1
	41923R.S	Blue main circuit board assembly, 1 or 2 Light, with Wi-Fi, with or without BBU (1XXX, 2XXX, 3XXX, 7XXX Models) (Only replace w/ blue board)	1
8	38240A.S	Power cord assembly, 4'	1
9	38437A.S	Screws, M6-1x12 (3pk)	1
10	8706G04.S	Screws, # 8x5/16 (3pk)	2
11	39732R.S	Wi-Fi circuit board assembly ONLY (Genie 2 light; for units with a main green circuit board)	1
NS	39613A.S	Harness ONLY, 6" (connect Wi-Fi board to main green circuit board)	1
12	39735R.S	Optical encoder replacement assembly, 2 light, with Wi-Fi, with or without BBU (NIDEC)	1
	41263R.S	Optical encoder replacement assembly, 2 light, with Wi-Fi, with or without BBU (RIDE)	1
	38252A.S	Optical encoder wheel only (works with NIDEC or RIDE motors/encoders)	1
A	111658.0002.S	Battery ONLY, replacement	1
B	39577R.S	Battery backup hardware for 7XXX Models WITHOUT a "D" (contains all items except replacement battery)	1
	41095R.S	Battery backup hardware for 7XXX Models WITH a "D" (contains all items except replacement battery)	1
C	38935A.S	Harness ONLY, 8.5" (external; connects BBU to chassis)	1
NS	38936A.S	Harness ONLY, 5.5" (internal; meets BBU chassis harness and connects to main green board)	1
	38936B.S	Harness ONLY, 9" (internal; meets BBU chassis harness and connects to main blue board)	1

Powerhead: DC Chain or Belt Drive 18V Motor, Integrated LEDs (with Wi-Fi, with BBU)

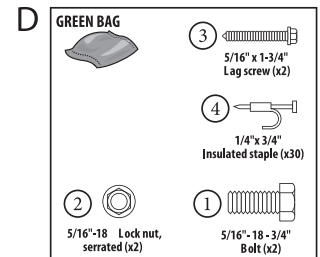
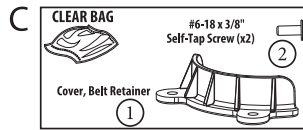
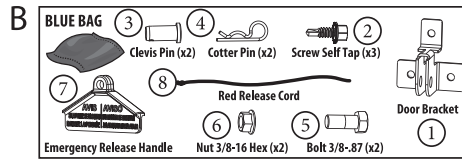
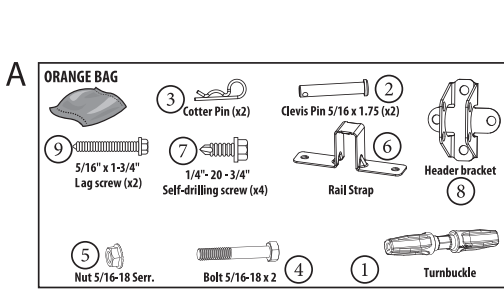
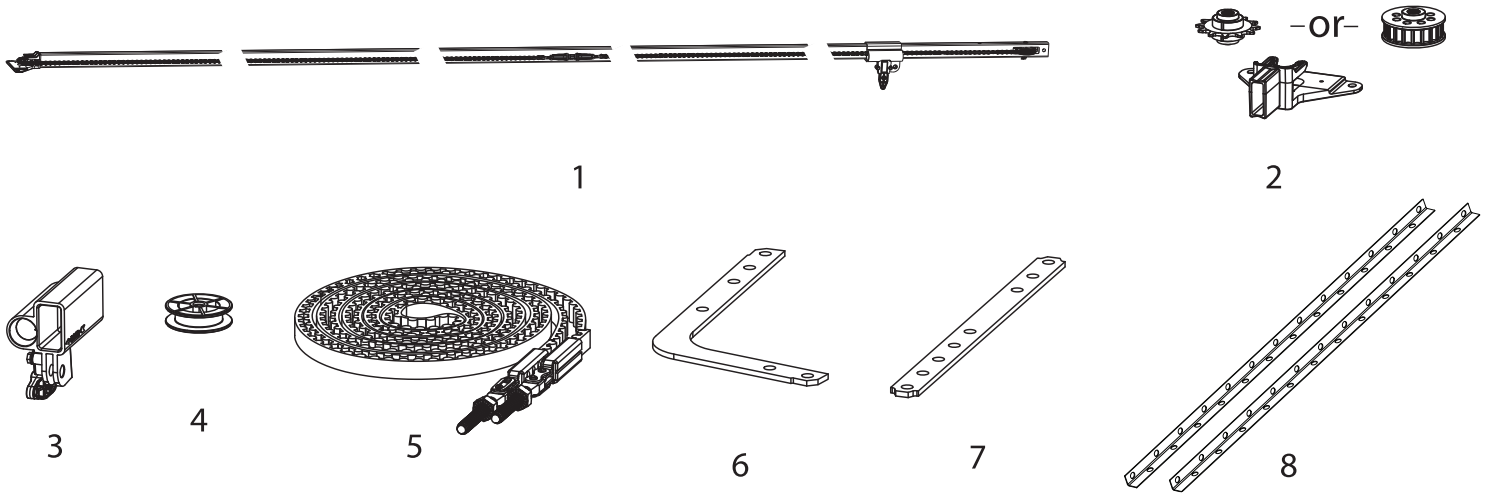


Ref.	Part Number	Description	Qty
1	42620R.S	Full cover with lens, LEDs (D7155L)	1
1A	42818R.S	Full cover with lens, LEDs, left and right end panels (D7155L)	
2	42618R-S	Lens (D7155L) (2 pcs)	
2A	42819R.S	Lens (D7155L) (2 pcs)	1
3	42619R.S	End Panel Kit (left and right sides) (D7155L)	1
3A	42820R.S	Hidden Panel Door (7155L) (2 pcs)	1
4	41182T.S	Motor assembly, 2 light, Wi-Fi, with or without BBU (RIDE)	1
5	39342R.S	Transformer, 120V	1
6	41923R.S	Blue main circuit board assembly, 1 or 2 Light, with Wi-Fi, with or without BBU (1XXX, 2XXX, 3XXX, 7XXX Models) (Only replace w/ blue board)	1
7	38240A.S	Power cord assembly, 4'	1
8	38437A.S	Screws, M6-1x12 (3pk)	1
9	8706G04.S	Screws, # 8x5/16 (3pk)	2
10	41263R.S	Optical encoder replacement assembly, 2 light, with Wi-Fi, with or without BBU (RIDE)	1
	38252A.S	Optical encoder wheel only (works with NIDEC or RIDE motors/encoders)	1
A	111658.0002.S	Battery ONLY, replacement	1
B	42616R.S	Battery backup hardware for D7XXX or E7XXX Models (contains all items except replacement battery)	1
C	38935A.S	Harness ONLY, 8.5" (external; connects BBU to chassis)	1
NS	38936B.S	Harness ONLY, 9" (internal; meets BBU chassis harness and connects to main blue board)	1

**Professional Line Models:**

**Retail Line Models:** 1035, 1055, 1055B, 2033\*, 2035, 2055, 3035, 3053\*, 3055, 3055D, 3155\*, 3155L\*, 3155D\*, 3155LD\*  
7035, 7053L\*, 7055, 7055D, 7135\*, 7155\*, 7155L\*, 7155D\*

**Rails: Tube Style (5pc), Chain & Belt Drive**



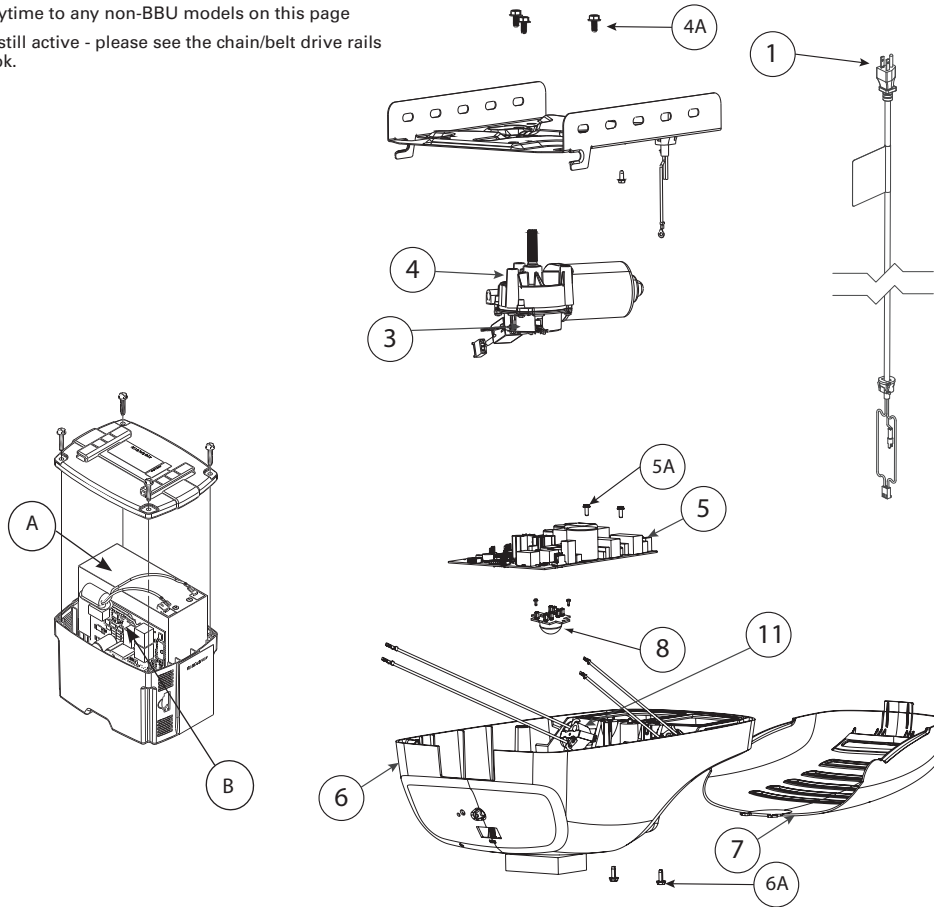
Retail rails are 5pc rails.  
\*Belt version shown here

Ref.	Part Number	Description	Qty
1	39410R.S	5-Pc Service Rail, Tube Style Chain Drive Rail, 7'	1
	39411R.S	5-Pc Service Rail, Tube Style Belt Drive Rail, 7'	1
2	39277R.S	Sprocket Replacement (Chain)	1
	39278R.S	Sprocket Replacement (Belt)	1
3	38893R.S	Carriage Assembly	1
4	39276R.S	Pulley Assembly	1
5	39352R.S	Chain Assembly, 7'	1
	39354R.S	Belt Assembly, 7'	1
	39352S.S	Chain Assembly, 8'	1
	39354S.S	Belt Assembly, 8'	1
6	37476A.S	Door Arm, Curved	1
7	37475A.S	Door Arm, Straight	1
8	39761A.S	Strap, angle, hanging, .60 x 25", Qty 2	2
A	39010R.S	Mounting Parts Pack (Orange Bag)	1
B	39011R.S	Installation Parts Pack (Blue Bag)	1
C	39012R.S	Belt Retainer Parts Pack (Clear Bag)	1
D	37105S.S	Hanging Hardware (Green Bag, Retail, Includes Wire Clips)	1
NS	39027R	ACCESSORY: Rail Extender Kit, 8' Chain (for 7' Retail Rail Only)	1
NS	39026R	ACCESSORY: Rail Extender Kit, 8' Belt (for 7' Retail Rail Only)	1
NS	41872R.S	Bolt Kit (includes silver and gold bolts for clamped ends; works with chain or belt kits)	1

**OBSOLETE - Powerhead: DC Chain or Belt Drive 140V Motor, 2 Light Models (no Wi-Fi, BBU capable or included)**

H H indicates 6" cord  
B or -B BBU included with product

BBU can be added at anytime to all non-BBU models on this page  
Rails for these units are still active - please see the chain/belt drive rails section earlier in the book.



Ref.	Part Number	Description	Qty
1	38240A.S	Power cord assembly, 4'	1
	38240B.S	Power cord assembly, 6'	1
3	39360R.S	Optical encoder replacement assembly (DC 140V chain/belt)	1
4	38727A.S	OBS: Motor assembly, 140V (includes encoder)	1
	41014R.S	Motor assembly, 140V (includes encoder) (Replaces 38727A.S)	1
4A	36947A.S	Screw, motor, M6 X 1-1/2	3
5	38874R3.S	Main circuit board assembly, 140V Chain/Belt Openers, no Wi-Fi, with or without BBU (3XXX Models)	1
	38874R4.S	Main circuit board assembly, 140V Chain/Belt Openers, no Wi-Fi, with or without BBU (4XXX Models)	1
	38877R.S	Main non-configured circuit board assembly, all NON Wi-Fi 140V chain/belt/screw drive models	1
	38875R3.S	KIT: Series II main circuit board/wall console (replace Series III items in 140V DC chain/belt drive 3XXX Models)	1
	38875R4.S	KIT: Series II main circuit board/wall console(replace Series III items in 140V DC chain/belt drive 4XXX Models)	1
	38878R.S	KIT: Series II non-configured circuit board/wall console (replace Series III, 140V DC chain/belt/screw Models)	1
5A	27255C04.S	Screw, 6-18 x 3/8, self tapping	3
6	37564R.S	Powerhead cover, 3024, 3024H, 3024H-B (contains light socket)	1
	37564S.S	Powerhead cover, 4024, 4024H, 4024H-B (contains light socket)	1
6A	086575.0808.S	Screw, motor, #10-32 X 1/2	2
7	38425A.S	Light lens cover, replacement for 2 light, 140V Genie Models	1
8	37560R.S	Motion detector module w/ screws	1
11	(see #6)	Light socket for these models is part of the powerhead cover	1
A	36959A.S	Battery ONLY, replacement (140V BBU accessories 37228R, 37229R cases WITH LOGO)	1
	111658.0002.S	Battery ONLY, replacement	
B	36953R.S	OBS: Battery backup circuit board (used in older 140V accessories 37228R, 37229R, use with NO LOGO)	1
NS	36747R.S	Cable assembly, 3' (connects BBU to 140V operator)	1



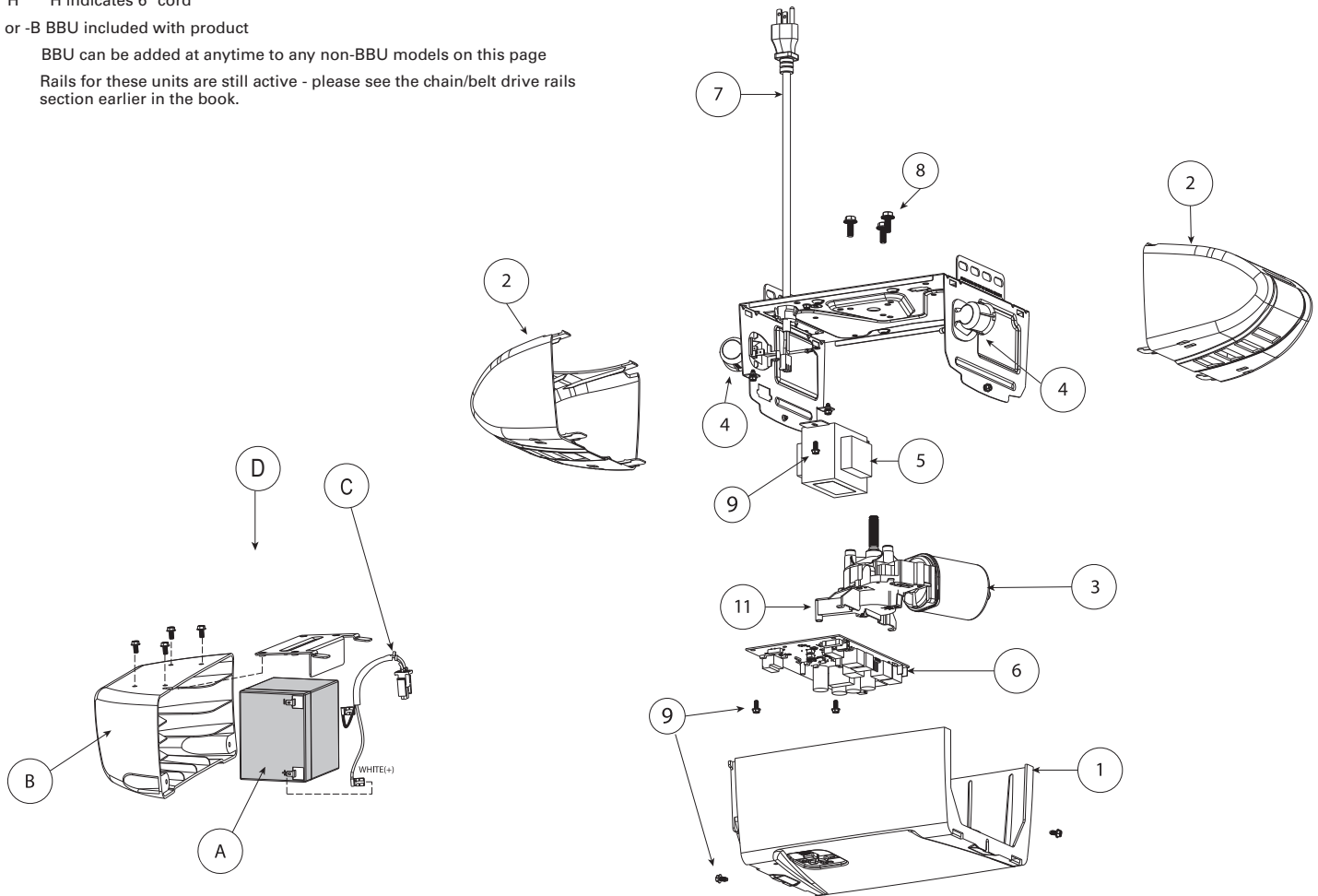
Quantities shown reflect total pieces needed.  
Prices charged are per each piece.

OBS = Obsolete Item  
NSS = Not Sold Separately  
NS = Not Shown

**OBSOLETE - Powerhead: DC Chain or Belt Drive 24V Motor, 2 Light Models (no Wi-Fi, BBU capable or included)**

H H indicates 6" cord  
B or -B BBU included with product

BBU can be added at anytime to any non-BBU models on this page  
Rails for these units are still active - please see the chain/belt drive rails section earlier in the book.



Ref.	Part Number	Description	Qty
1	39366A.S	Powerhead cover, 3020H, 3020H-B	1
2	39368A.S	Light lens cover, replacement for 2 light, Professional Line Models	1
3	39338S.S	OBS: Motor assembly, 2 light, no Wi-Fi, with or without BBU (NIDEC; includes encoder and wire) (Replaced by 41182S.S)	1
	41182U.S	Motor assembly, 2 light, no Wi-Fi, with or without BBU (RIDE; includes encoder and wire)	1
4	39344R.S	Light socket assembly, replacement for 2 light, Models, non-L Models	1
5	39342R.S	Transformer, 120V	1
6	39340S.S	OBS: Green main circuit board assembly, 2 light, non-Wi-Fi, with or without BBU (Replaced by 41922R.S)	1
	41922R.S	Blue main circuit board assembly, 1 or 2 Light, No Wi-Fi, with or without BBU (1XXX, 2XXX, 3XXX, 7XXX Models)(Only replace w/ blue board)	1
7	38240B.S	Power cord assembly, 6'	1
8	38437A.S	Screws, M6-1x12 (3pk)	1
9	8706G04.S	Screws, # 8x5/16 (3pk)	2
11	39272T.S	Optical encoder replacement assembly, 2 light, no Wi-Fi, BBU capable models (NIDEC)	1
	41263T.S	Optical encoder replacement assembly, 2 light, no Wi-Fi, BBU capable models (RIDE)	1
A	111658.0002.S	Battery ONLY, replacement	1
B	39367A.S	Battery backup housing ONLY (includes screws)	1
C	38935A.S	Harness ONLY, 8.5" (external; connects BBU to chassis)	1
D	39524R	Battery Backup Unit (complete)	1
NS	38936A.S	Harness ONLY, 5.5" (internal; meets BBU chassis harness and connects to main green board)	1
	38936B.S	Harness ONLY, 9" (internal; meets BBU chassis harness and connects to main blue board)	1
NS	38252A.S	Optical encoder wheel only (works with NIDEC or RIDE motors/encoders)	1

**OBSOLETE - Powerhead: DC Chain or Belt Drive 24V Motor, 2 Light Models (with Wi-Fi, BBU capable or included)**

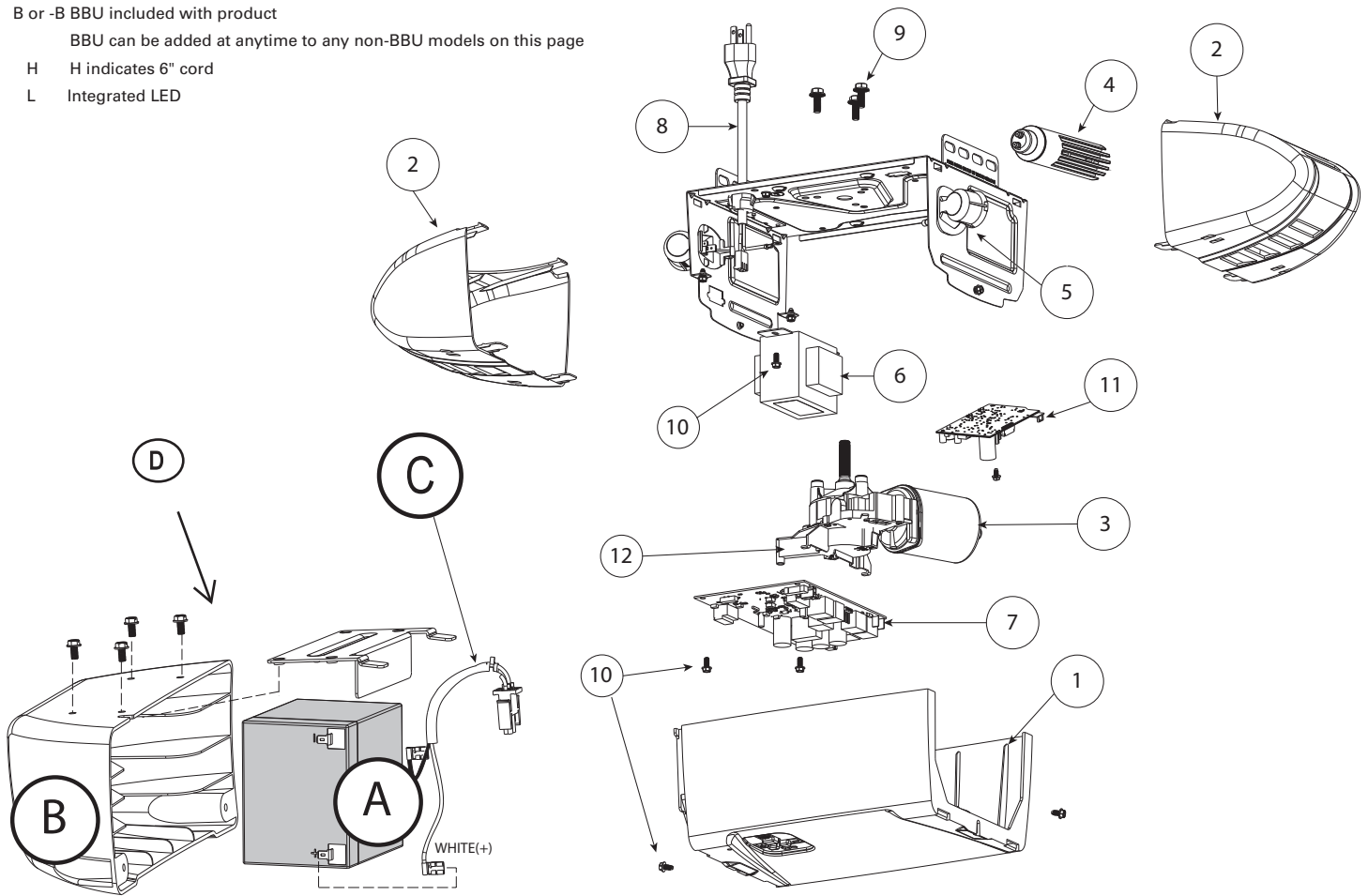
\* Integrated Wi-Fi

B or -B BBU included with product

BBU can be added at anytime to any non-BBU models on this page

H H indicates 6" cord

L Integrated LED



Ref.	Part Number	Description	Qty
1	41816R.S	Powerhead cover, Model 3120	1
2	39368A.S	Light lens cover, replacement for 2 light, Professional Line Models	1
3	39730R.S	OBS: Motor assembly, 2 Light, Wi-Fi, with or without BBU (NIDEC; includes encoder and wire) (Replaced by 41182T.S)	1
	41182V.S	Motor assembly, 2 light, Wi-Fi, with or without BBU (RIDE; includes encoder and wire)	
4	39718A.S	LED Module replacement for L Models (Lightbulb)	1
5	39344R.S	Light socket assembly, replacement for 2 light, Models, non-L Models	1
	39719A.S	Light socket assembly, replacement for 1 or 2 light, L Models	1
6	39342R.S	Transformer, 120V	1
7	39731R.S	Green main circuit board assembly, 2 Light, Wi-Fi, with or without BBU(Only replace w/ green board)	1
	41923R.S	Blue main circuit board assembly, 1 or 2 Light, with Wi-Fi, with or without BBU (1XXX, 2XXX, 3XXX, 7XXX Models)(Only replace w/ blue board)	1
8	38240B.S	Power cord assembly, 6'	1
9	38437A.S	Screws, M6-1x12 (3pk)	1
10	8706G04.S	Screws, # 8x5/16 (3pk)	2
11	39732R.S	Wi-Fi circuit board assembly ONLY (Genie 2 light; for units with a main green circuit board)	1
NS	39613A.S	Harness ONLY, 6" (connect Wi-Fi board to main green circuit board)	1
NS	39993R.S	Mounting support bracket for Wi-Fi circuit board assembly (Genie; for units with a main green circuit board)	1
12	39735R.S	Optical encoder replacement assembly, 2 light, with Wi-Fi, with or without BBU (NIDEC)	1
	41263R.S	Optical encoder replacement assembly, 2 light, with Wi-Fi, with or without BBU (RIDE)	1
	38252A.S	Optical encoder wheel only (works with NIDEC or RIDE motors/encoders)	1
D	39524R	Battery Backup Unit (24V Motor-model specific)(complete) Qty 1	
A	111658.0002.S	Battery ONLY, replacement	1
B	39367A.S	Battery backup housing ONLY (includes screws)	1
C	38935A.S	Harness ONLY, 8.5" (external; connects BBU to chassis)	1
NS	38936A.S	Harness ONLY, 5.5" (internal; meets BBU chassis harness and connects to main green board)	1
	38936B.S	Harness ONLY, 9" (internal; meets BBU chassis harness and connects to main blue board)	1

Rails for these units are still active - please see the chain/belt rails section earlier in the book.



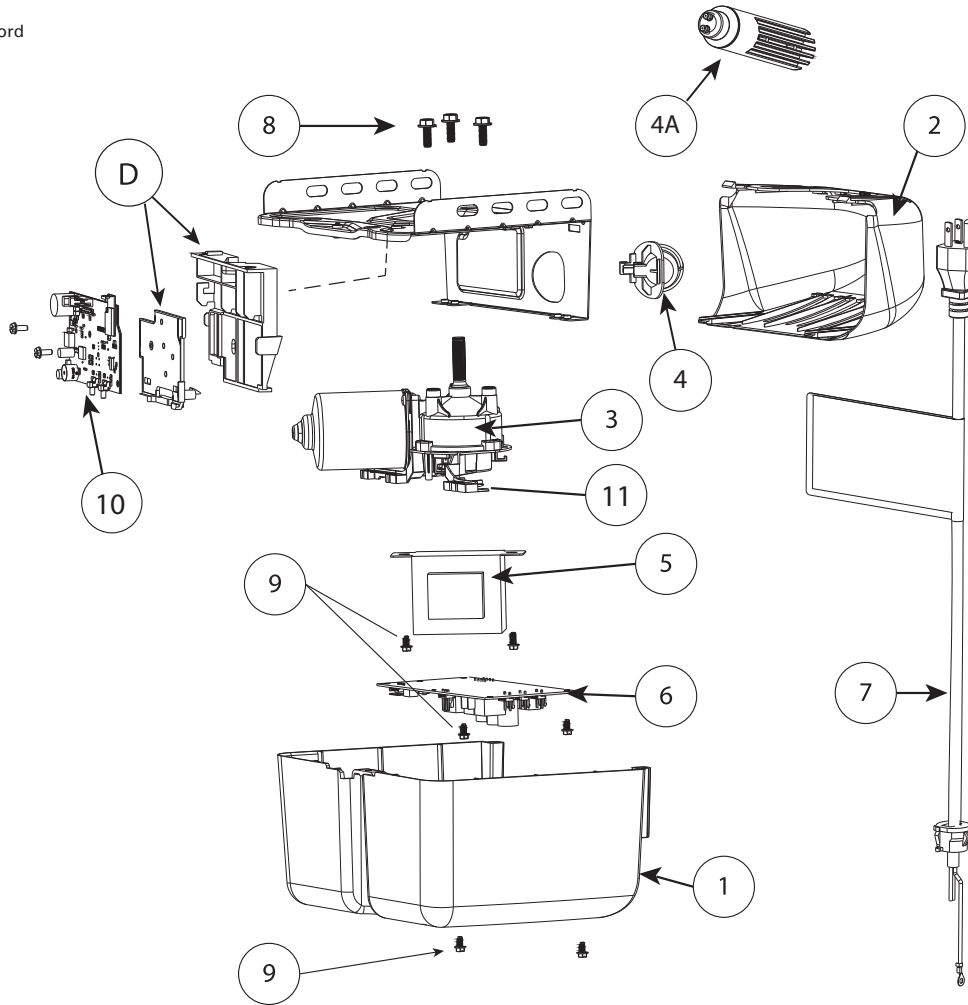
Quantities shown reflect total pieces needed.  
Prices charged are per each piece.

OBS = Obsolete Item  
NSS = Not Sold Separately  
NS = Not Shown

**Professional Line Models: ReliaG Series 2128L, 2128BL**  
**Retail Line Models:**

**OBSOLETE -- Powerhead: DC Chain or Belt Drive 24V Motor, 1 Light Models (with Wi-Fi, with LED, with and without BBU)**

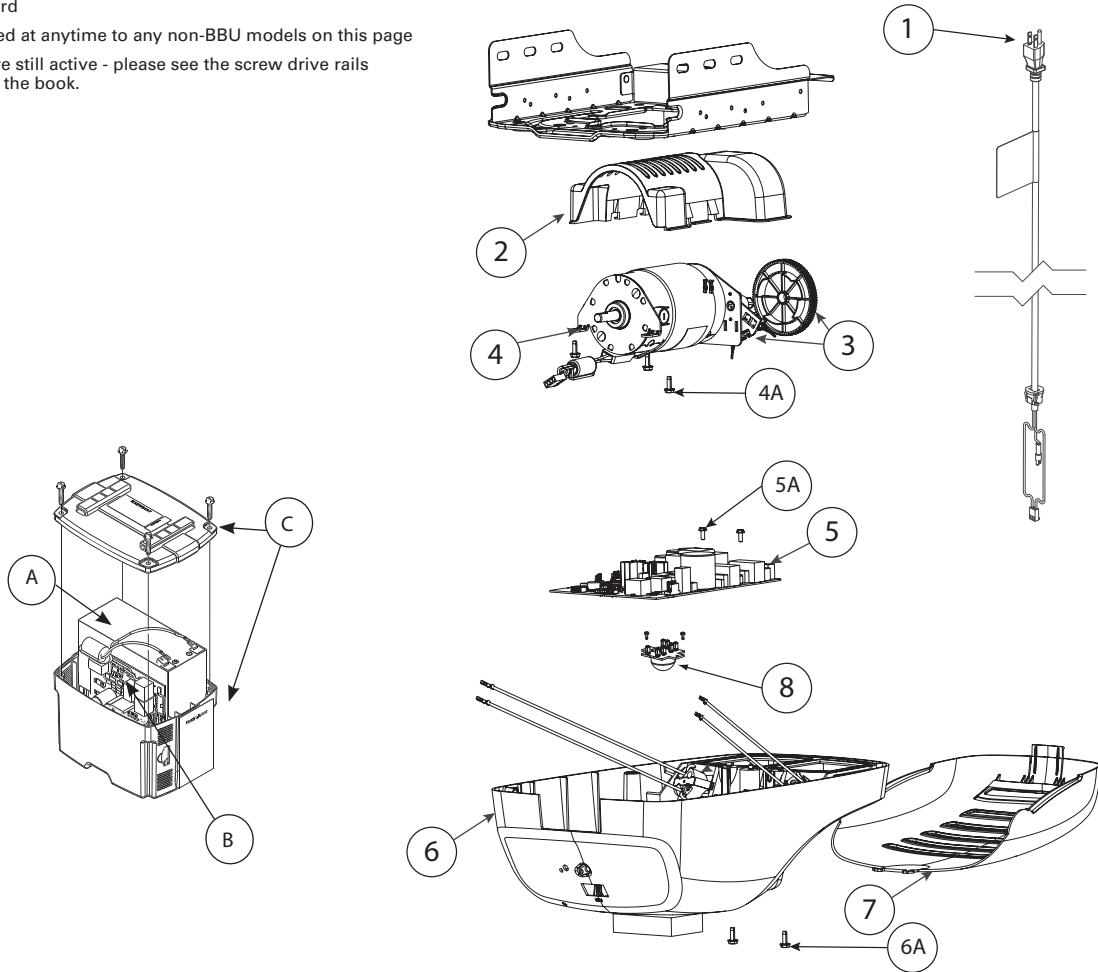
\* Integrated Wi-Fi  
H H indicates 6" cord



Ref.	Part Number	Description	Qty
1	41925R.S	Powerhead cover, 1 light, powerheads with green or blue circuit board (Genie)	1
2	38126A.S	Light lens cover, replacement for 1 light, Models	1
3	41521U.S	Motor assembly, 1 Light, with or without Wi-Fi, with or without BBU (RIDE 24V; includes encoder and wire)	1
4	39719A.S	Light socket assembly, replacement for 1 or 2 light, L Models	1
4A	39718A.S	LED Module replacement for L Models (Lightbulb)	1
5	39342R.S	Transformer, 120V	1
6	40976S.S	Green main circuit board assembly, 1 light, with Wi-Fi, no BBU (2XXX Models)(Only replace w/ green board)	1
	40976U.S	Green main circuit board assembly, 1 light, with or without Wi-Fi, with BBU(2XXX Models)(Only replace w/green board)	1
	41923R.S	Blue main circuit board assembly, 1 or 2 Light, with Wi-Fi, with or without BBU (1XXX, 2XXX, 3XXX, 7XXX Models)(Only replace w/ blue bo	1
7	38240A.S	Power cord assembly, 4'	1
	38240B.S	Power cord assembly, 6'	1
8	38437A.S	Screws, M6-1x12 (3pk)	1
9	8706G04.S	Screws, # 8x5/16 (3pk)	1
10	40988R.S	Wi-Fi board circuit board ONLY (Genie 1 light; for units with a main green circuit board)	1
NS	39613C.S	Harness ONLY, 8.25" (connects Wi-Fi board to main green circuit board)	1
11	39272U.S	Optical encoder replacement assembly, 1 light, with or without Wi-Fi, BBU capable (NIDEC)	1
	41522S.S	Optical encoder replacement assembly, 1 light, with or without Wi-Fi, BBU capable (RIDE)	1
	38252A.S	Optical encoder wheel only (works with NIDEC or RIDE motors/encoders)	1
A	111658.0002.S	Battery ONLY, replacement	1
B	41115R.S	Battery backup assembly (cover, harness and hardware only)	1
C	38936A.S	Harness ONLY, 5.5" (internal; meets BBU chassis harness and connects to main green board)	1
	38936B.S	Harness ONLY, 9" (internal; meets BBU chassis harness and connects to main blue board)	1
D	40974R.S	Bracket that holds the Wi-Fi board to the chassis (units with a main green board)	1
NS	40797A.S	Harness ONLY, 43.75" (external; connects BBU to chassis)	1

**OBSOLETE - Powerhead: DC Screw Drive 140V Motor, 2 Light Models (no Wi-Fi, BBU capable)**

H H indicates 6" cord  
 BBU can be added at anytime to any non-BBU models on this page  
 Rails for these units are still active - please see the screw drive rails section earlier in the book.



Ref.	Part Number	Description	Qty
1	38240A.S	Power cord assembly, 4'	1
	38240B.S	Power cord assembly, 6'	1
2	36639A.S	Motor cover assembly, 140V DC screw drive Models	1
3	39155R.S	Optical encoder replacement assembly (DC 140V screw drive)	1
4	38631A.S	Motor assembly w/opto-luctor, 140V DC screw drive Models (includes screws)	1
4A	086575.0808.S	Screw, motor, #10-32 X 1/2	3
5	38874R1.S	Main circuit board assembly, 140V Screw Drive Openers, no Wi-Fi, with or without BBU (3XXX/7XXX Models)	1
	38874R2.S	Main circuit board assembly, 140V Screw Drive Openers, no Wi-Fi, with or without BBU (4XXX Models)	1
	38877R.S	Main non-configured circuit board assembly, all NON Wi-Fi 140V chain/belt/screw drive models	1
NS	38875R1.S	KIT: Series II main circuit board/wall console(replace Series III items in 140V DC screw drive 3XXX Models)	1
NS	38875R2.S	KIT: Series II main circuit board/wall console (replace Series III items in 140V DC screw drive 4XXX Models)	1
NS	38878R.S	KIT: Series II non-configured circuit board/wall console (replace Series III, 140V DC chain/belt/screw Models)	1
5A	27255C04.S	Screw, 6-18 x 3/8, self tapping	3
6	38313R.S	OBS: Powerhead cover, PowerMax 1200 (3062 Blue cover)	1
	37843R.S	Powerhead cover, 3064H, 3064H-B (contains light socket)	1
	37843S.S	Powerhead cover, 4064H, 4064H-B (contains light socket)	1
6A	086575.0808.S	Screw, motor, #10-32 X 1/2	1
7	38425A.S	Light lens cover, replacement for 2 light, 140V Genie Models	1
8	37560R.S	Motion detector module w/ screws	1
A	36959A.S	Battery ONLY, replacement (140V BBU accessories 37228R, 37229R cases WITH LOGO)	1
	111658.0002.S	Battery ONLY, replacement	1
B	36953R.S	Battery backup circuit board (used in older 140V accessories 37228R, 37229R, use with NO LOGO)	1
C	41590R	Battery Backup (complete) Qty 1	1
NS	36747R.S	Cable assembly, 3' (connects BBU to 140V operator)	1



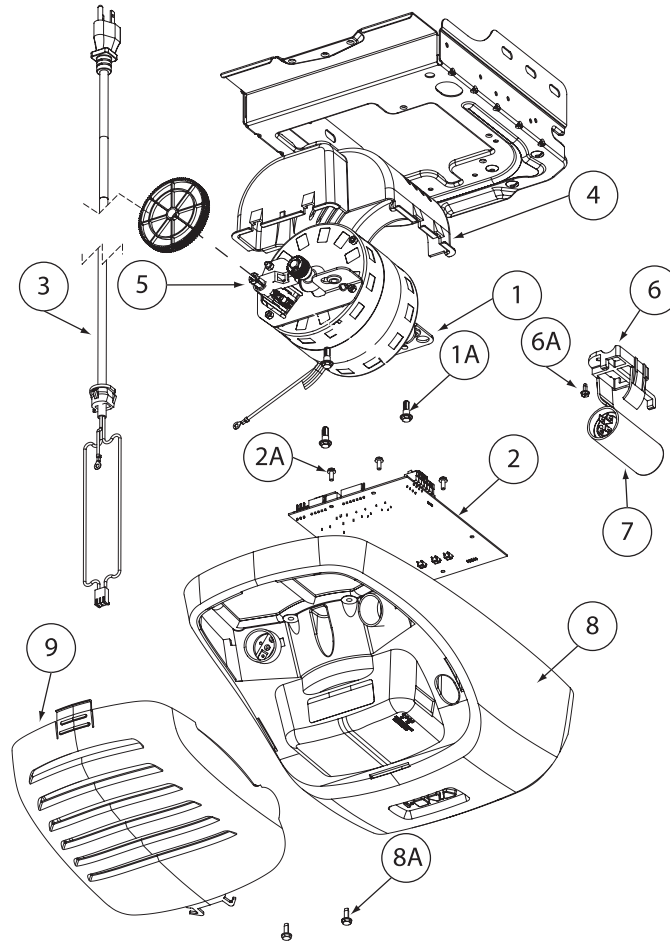
Quantities shown reflect total pieces needed.  
 Prices charged are per each piece.

OBS = Obsolete Item  
 NSS = Not Sold Separately  
 NS = Not Shown

**OBSOLETE -Powerhead: AC Screw Drive 1/2HP Motor, 2 Light Models (no Wi-Fi, no BBU)**

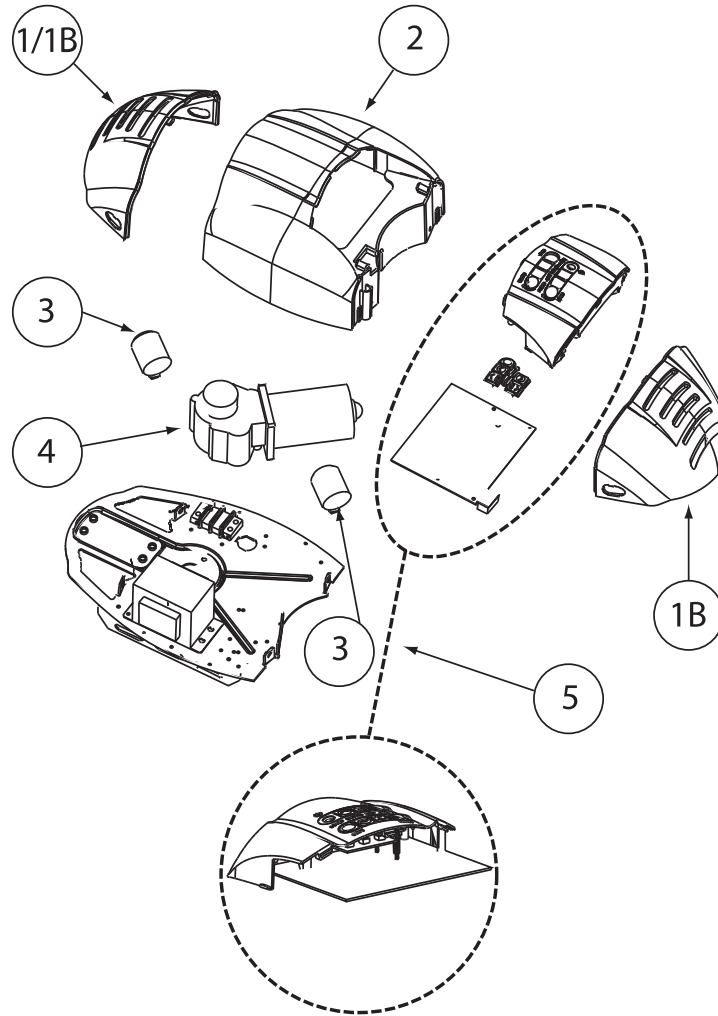
H H indicates 6" cord

Rails for these units are still active - please see the screw drive rails section earlier in the book.



Ref.	Part Number	Description	Qty
1	39045R.S	Motor assembly w/opto-luctor, 140V AC screw drive Models (includes screws)	1
1A	37177A.S	Screw, motor, 10-32 HWH TF W/SHLDR	3
2	39048R.S	Main circuit board assembly for AC screw drive Models with Series II electronics	1
NS	39057R.S	KIT: Series II main circuit board/wall console (replace Series III items in 140V AC screw drive)	1
2A	27255C04.S	Screw, 6-18 x 3/8, self tapping	3
3	38240A.S	Power cord assembly, 4'	
	38240B.S	Power cord assembly, 6'	1
4	37164A.S	Motor cover assembly, 140V AC screw drive Models	1
5	39153R.S	Optical encoder replacement assembly (AC 1/2HP screw drive)	1
6	37953R.S	Capacitor bracket	1
6A	8706E04.S	Screw, 8-32 x 3/8 HHD SLTD TAP	2
7	37954R.S	Capacitor 70 uF	1
8	39147R.S	Powerhead cover, 2564, 2568, 2564H, 2568H	1
8A	086575.0808.S	Screw, motor, #10-32 X 1/2	2
9	38425A.S	Light lens cover, replacement for 2 light, 140V Genie Models	1

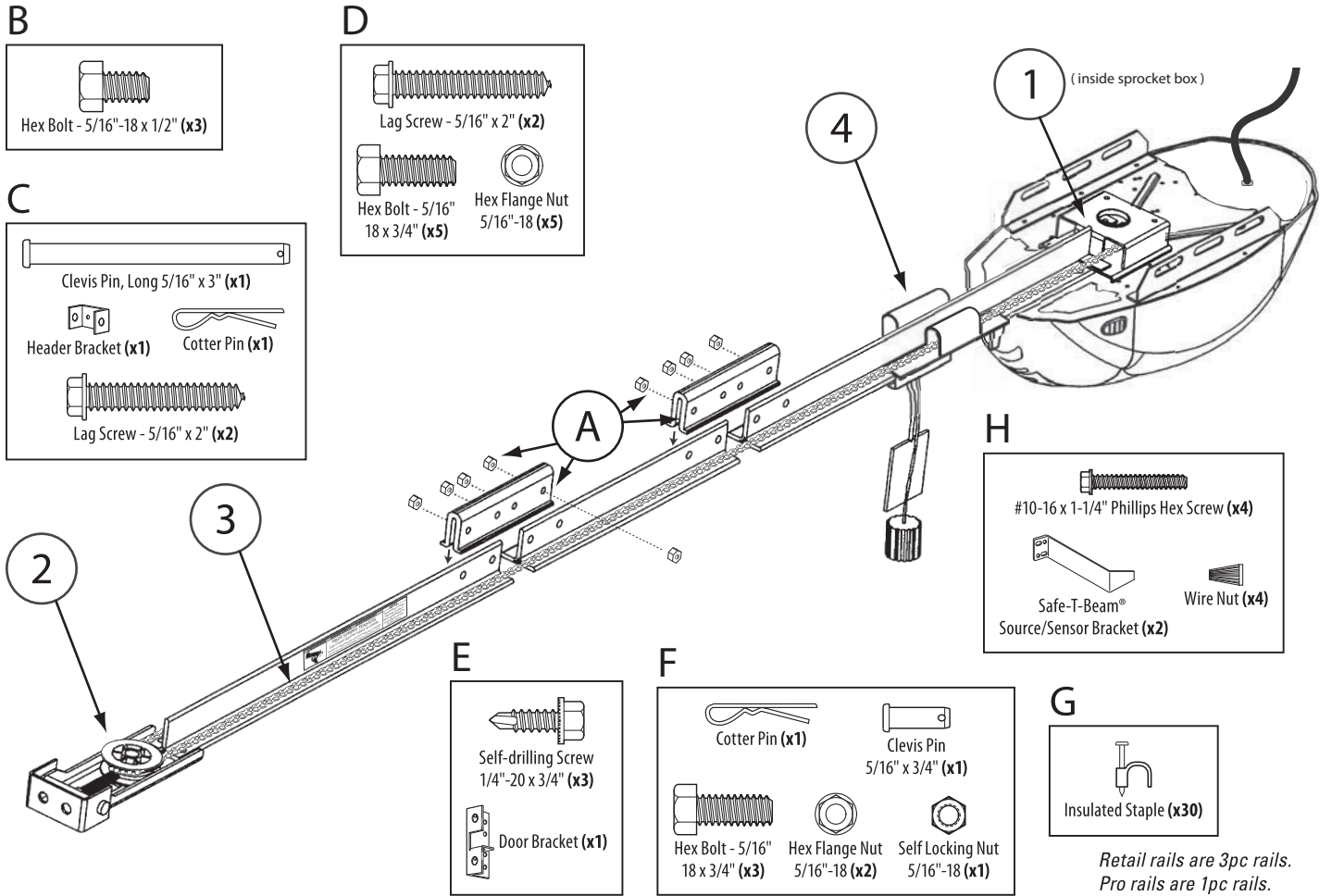
**OBSOLETE - Powerhead: DC Chain and Belt Drive Models (no Wi-Fi, no BBU)**



Ref.	Part Number	Description	Qty
1	36435D.S	OBS: Light Lens Cover	1
1B	36435A.S	OBS: Access Cover, Black, 1024	1
	36435C.S	Access Cover, blue, 1022 & 1042	1
2	36454A.S	OBS: Cover, Powerhead, Genie, Black (Pro)	1
	36454C.S	Cover, Powerhead, Genie, Blue (Retail)	1
		Cover, Powerhead, Genie, Gray 2022-700 (Retail)	1
		Cover, Powerhead, Genie, Gray 2027 (Retail)	1
3	36449A.S	OBS: Light Socket	2
4	37030A.S	OBS: Motor Assembly, 2022, 2022-700, 2027, 2024, 2042	1
	36447A.S	OBS: Motor Assembly, 1022, 1024, 1042	1
5	39537R.S	OBS: Circuit Board Only (no plastic covering), Works with All Models This Section	1
	37028J.S	OBS: Ctrl Bd Assy, Gray, Model 2022-700 (can use 37028L.S)	1
	37028L.S	OBS: Control board assembly, Gray, Model 2027	1
NS	37508A.S	Cover Locking Tabs (2Ea.)	1
NS	38219R.S	Lens Guard (2022, 2022-700, 2027, 2024, 2042)	1
NS	38495A.S	OBS: Transformer	1



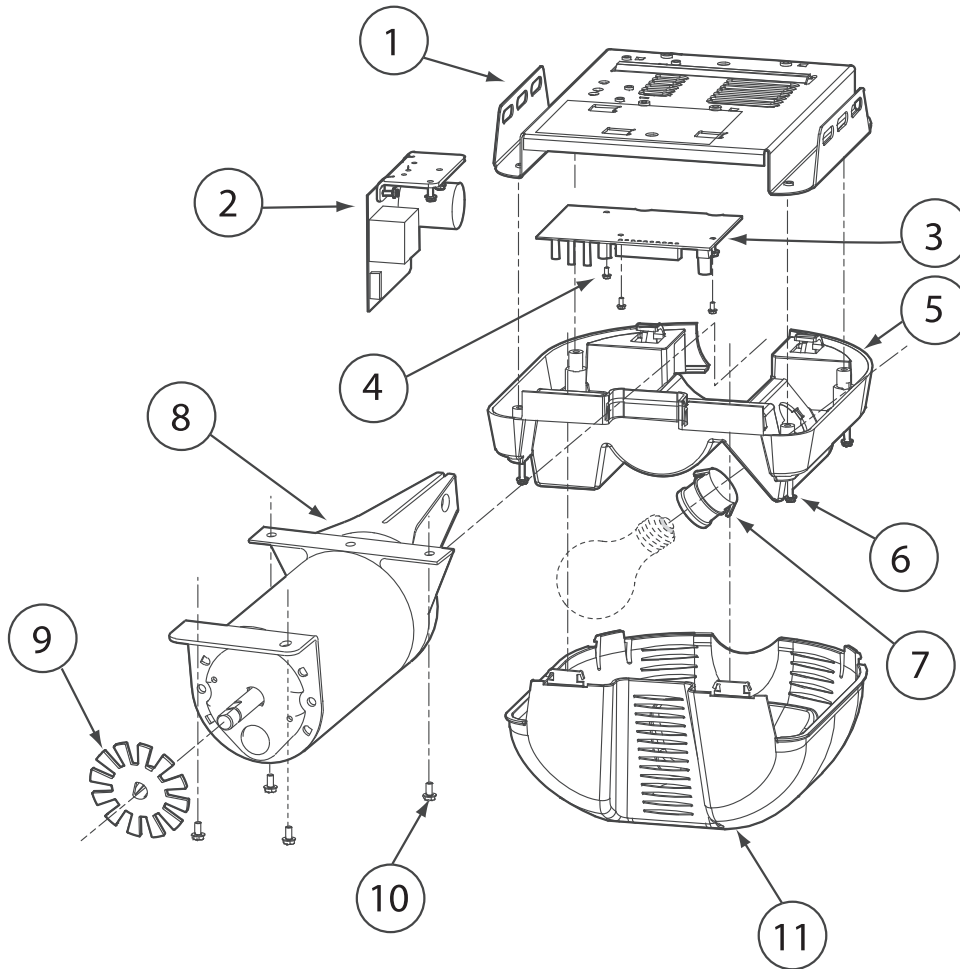
## OBSOLETE - Rails: T-Rail Style, DC Chain and Belt Drive for Models



Retail rails are 3pc rails.  
Pro rails are 1pc rails.  
\*Chain version shown here

Ref.	Part Number	Description	Qty
1	36608A.S	OBS: Guard, Sprocket, Belt (inside sprocket box)	1
2	36451A.S	OBS: Pulley Assembly, Chain	1
	36605A.S	OBS: Pulley Assembly, Belt	1
3	36607A.S	OBS: Belt & Bullet 7 ft	1
	36607B.S	OBS: Belt & Bullet 8 ft	1
	36452A.S	OBS: Chain Assy, 7 ft	1
4	36453A.S	OBS: Carriage	1
NS	38416A.S	Sprocket, 14 Tooth Belt	1
NS	38415A.S	Sprocket, 8 Tooth Chain	1
NS	38475R	OBS: Rail Extender Kit, 8' Chain (for 7' Retail Rail Only)	1
NS	38476R	OBS: Rail Extender Kit, 8' Belt (for 7' Retail Rail Only)	1
NS	36445A.S	Straight Door Arm	1
NS	36446A.S	Door Arm, Curved	1
A	36436A.S	Bag #0, Parts Pack, Rail Hardware (Retail)	1
B	36437A.S	Bag #1, Parts Pack, Rail Hardware	1
C	36438A.S	Bag #2, Parts Pack, Hardware & Header Bracket	1
D	36439A.S	Bag #3, Parts Pack, Powerhead Mounting Hardware	1
E	36440A.S	OBS: Bag #4, Parts Pack, Hardware & Door Bracket	1
F	36441A.S	OBS: Bag # 5, Parts Pack, Hardware, Arms & Carriage	1
NS	36442A.S	OBS: Bag #6, Parts Pack, Wall Button (non series II)	1
	19614R.S	ACCESSORY: Pushbutton, universal non-lit button	1
G	36443A.S	Bag # 7, Parts Pack, Insulated Staples, (30 pk)	1
	34546A.S	Insulated Staple (quantity 1)	1
H	36444A.S	Bag # 8, Parts Pack, STB Brackets	1
NS	38283R.S	3PC Service Rail, T-Style Chain Drive Rail	1
NS	38284R.S	OBS: 3PC Service Rail, T-Style Belt Drive Rail	1
NS	20060A.S	Master Link, Chain	1

**OBSOLETE - Powerhead: DC Screw Drive Models (no Wi-Fi, no BBU)**



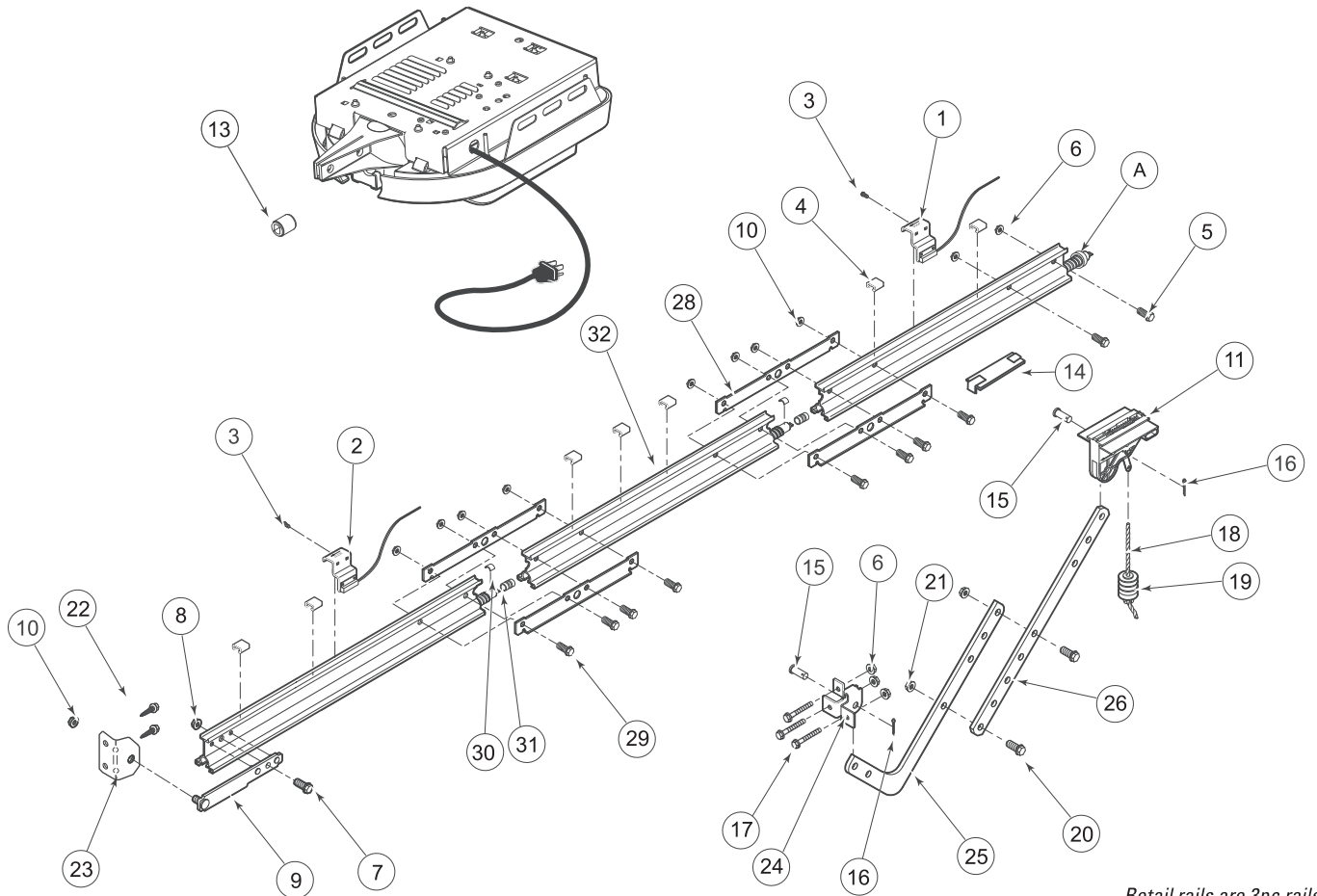
Ref.	Part Number	Description	Qty
1	33971A.S	OBS: Top Plate	1
2	36428R.S	OBS: Motor Drive Board	1
3	36600R.S	Control Board, 390	1
4	8706E04.S	Screw, 8-32 x 3/8 HHD SLTD TAP	3
5	34109S.S	OBS: Motor Cover (Black)	1
6	28043F17.S	Screw, # 8-32 X 1, Self Tap, PH PNH	4
7	34322A.S	OBS: Light Socket	1
8	36422A.S	OBS: Motor Assembly (Manufactured After 6/2009)	1
9	33944A.S	Optical Interrupt Wheel	1
10	8062C04.S	Screw, #10-24 X 3/8 Tap HHW	1
11	35035C.S	OBS: Lens Cover (Genie Pro)	1
NS	34147A.S	Force Adjustment Shaft	1
NS	25585A.S	Strain Relief, Powercord	1
NS	34637B.S	Power Cord	1
NS	34102R.S	OBS: Wire Harness	1
NS	34138A10F.S	Fuse, (10A)	1



Quantities shown reflect total pieces needed.  
 Prices charged are per each piece.

OBS = Obsolete Item  
 NSS = Not Sold Separately  
 NS = Not Shown

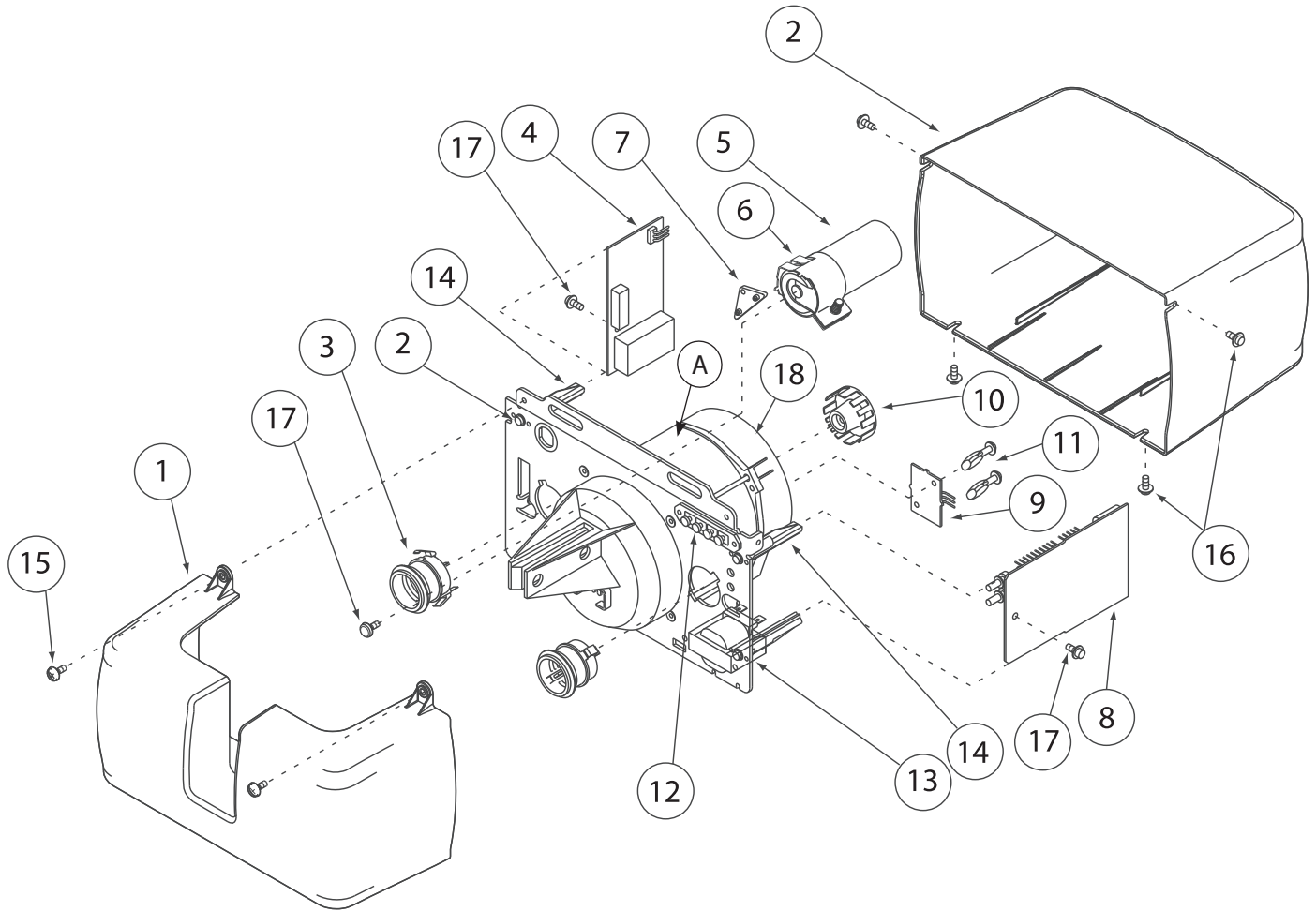
**OBSOLETE - Rails: Screw Drive Models**



Retail rails are 3pc rails.  
Pro rails are 1pc rails.

Ref.	Part Number	Description	Qty	Ref.	Part Number	Description	Qty
1	33950R.S	Limit Switch, Up, (66") White	1	18	21123F.S	Emergency Release Cord, 7-8-10 ft Models	1
2	33950S.S	Limit Switch, Down, (138") Brown	1		21123G.S	Emergency Release Cord, 12-14ft Models	1
	33950T.S	Limit Switch, Down, (186") Brown (Pro Only)	1	19	35227A.S	Release Knob	1
3	8094G04.S	Screw, # 8-32 X 3/4 HHW SL	1	20	5973Q04.S	Screw, 3/8 X .87 Hx Hd Mch	2
4	33905A.S	Wire Clip	7	21	24121D05.S	Nut, 3/8-16 Hex Serr Flg	2
5	28421B04.S	OBS: Bolt, Shoulder, 1/4"	1	22	8091B04.S	Bolt, Lag, 1/4 X 2 HHW	2
6	24121B05.S	Nut, 1/4-20 Hex Serr Flg	5	23	35421A.S	Header Bracket	1
7	8025E04.S	Screw, 1/4-20 x 3/4 HX HD WASH	1	24	19792A04.S	Door Bracket	1
8	086480.1620.S	Nut, 1/4-20 w/Lock Washer	1	25	26013D.S	Curved Door Arm	1
9	34540A.S	Rail Strap	1	26	26012D.S	Straight Door Arm	1
10	24121C05.S	Nut, 5/16-18 Hex Serr Flg	1	28	21019B04.S	Rail Clamp (Retail Only)	4
11	36179R.S	Carriage Assembly with Magnet	1	29	22438A04.S	Bolt, 5/16" X 11/16"	8
12	30322A.S	Bumper, Adhesive	1	30	19807A04.S	Retaining Clip	2
13	30257T.S	Coupler Assembly, Tube	1	31	19806A04.S	Collar	2
14	35372A.S	Carriage Stop	1	32	34106R.S	OBS: 3 Piece Rail Assembly	1
15	5987J04.S	Clevis Pin	2	NS	27570T.S	Rail Support Kit (10' & 12', Pro Only)	1
16	606E04.S	Cotter Pin, 3/4"	2	A	36297R.S	AC/DC Screwdrive Rail Washer Replacement Kit	1
17	3359Q06.S	Carriage Bolt, 1/4-20 X 2	3				

**OBSOLETE - Powerhead: AC Screw Drive Models - CM7600/8600, PRO95, CM8600-FN, H-Series, IS/IMS/ISL Series, DirectLift® Series (no Wi-Fi, no BBU)**



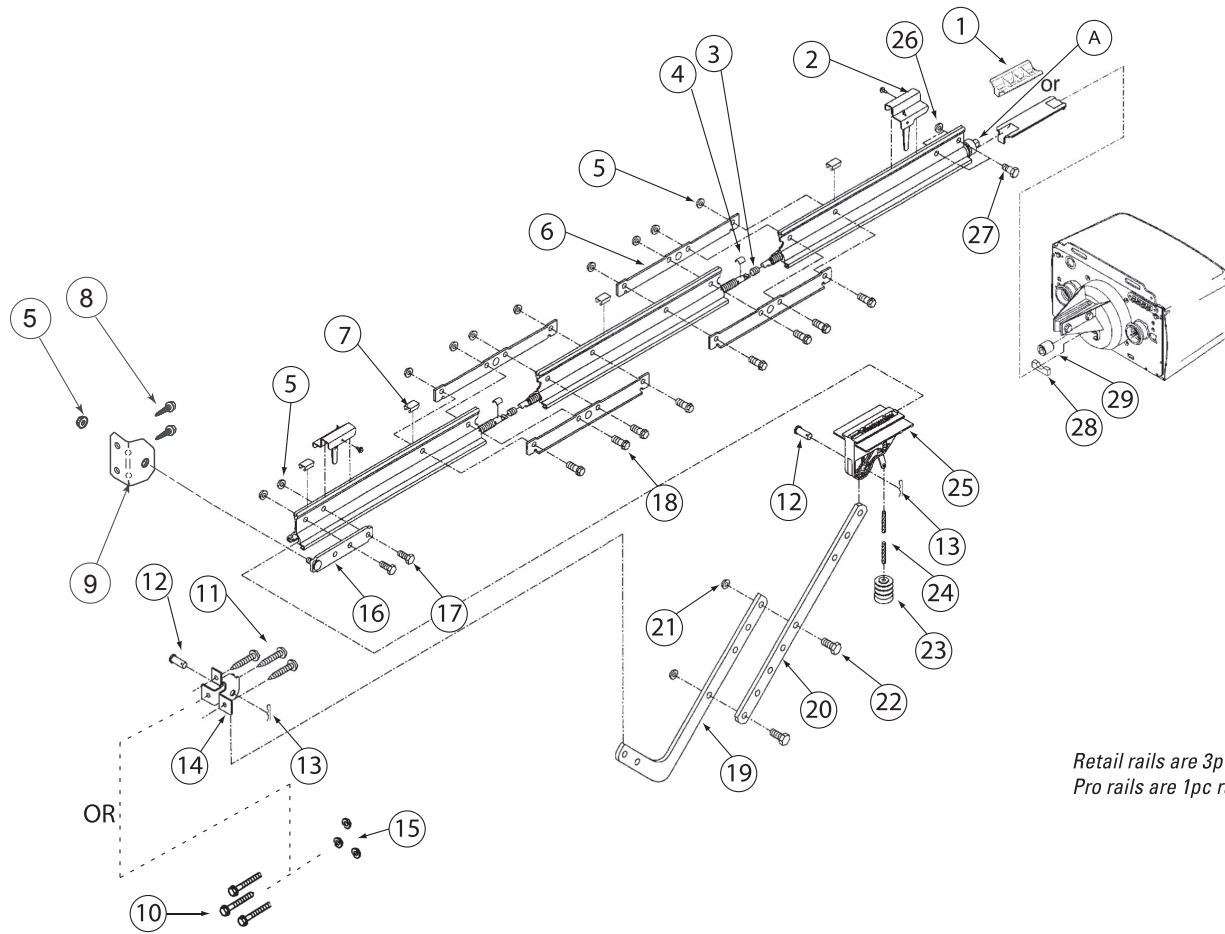
Ref.	Part Number	Description	Qty
1	35627S.S	OBS: Lens Cover (DirectLift)	1
	36286A.S	Lens Cover (Replaces 35627S.S)	1
2	35575A.S	OBS: Cover	1
3	34322A.S	OBS: Light Socket	2
4	36521R.S	Receiver, Intellicode, 390Mhz	1
5	19988A.S	Capacitor, 70 MFD (1/2 HP)	1
	18004B.S	Capacitor, 50 MFD (1/3 HP)	1
6	25731A.S	Capacitor Clamp	1
7	35371A	OBS: Vibration Isolator	1
8	20386R.S	Sequencer Board	1
9	31057R.S	Opto-Luctor (requires qty 2 of 36511A.S support pins)	1
10	35226A.S	Opto-Luctor Wheel, Snap On (02/2004 & after)	1
	30323A.S	Opto-Luctor Wheel, Screw On (03/2004 & before)	1
11	36511A.S	Board Support Pins (date code wk/yr: 2908 and after)	2
	8706E04.S	Screw, 8-32 x 3/8 HHD SLTD TAP	2
12	25823A.S	Terminal Strip	1
13	35426A.S	Transformer	1
14	25609A.S	Circuit Board Bracket	2
15	28043A04.S	Screw, Lens Cover 8-32 x .375, Self Tap, PH PNH	2
16	24940A30.S	Screw, Motor Cover 8-32 x3 /8 PHIL HEX HD	4
17	24501F30	NSS: Screw, # 8 X 7/8"L, Self Tap, HHW	1
18	41008R.S	OBS: Motor for date codes (wk/yr) 2908 and after	1
NS	20417R.S	Grey, Up Limit Lead	1
NS	20418R.S	Brown, Down Limit Wire	1
NS	25585A.S	Strain Relief, Powercord	1
NS	32928C.S	Power Cord & Plug	1



Quantities shown reflect total pieces needed.  
 Prices charged are per each piece.

OBS = Obsolete Item  
 NSS = Not Sold Separately  
 NS = Not Shown

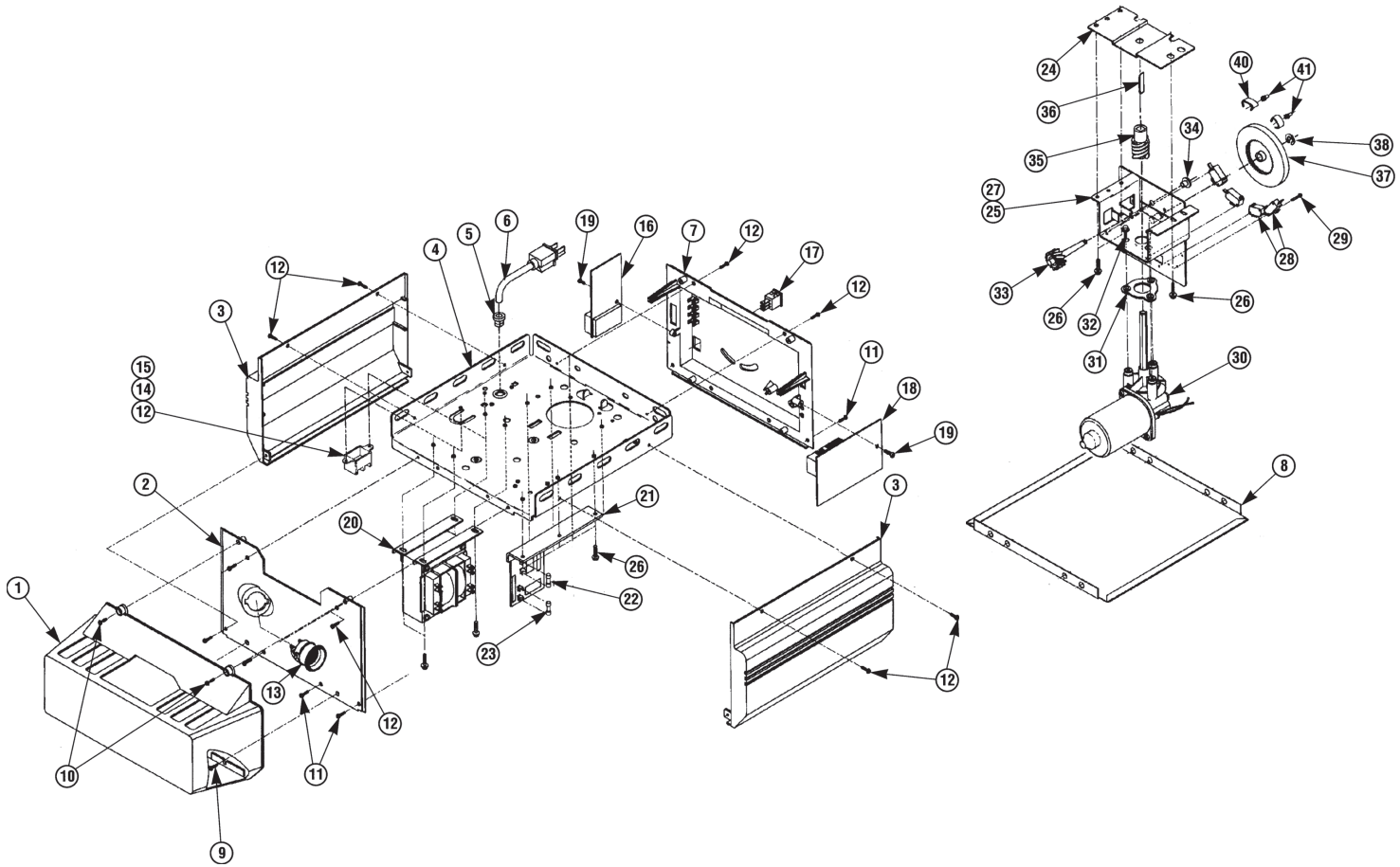
**OBSOLETE - Rails: Screw Drive Rails for Models**



Retail rails are 3pc rails.  
 Pro rails are 1pc rails.

Ref.	Part Number	Description	Qty	Ref.	Part Number	Description	Qty
NS	32658R.S	OBS: Rail & Screw (Complete 3pc. Assembly)	1	16	22766R04.S	Rail Strap	1
1	35372A.S	Carriage Stop	1	17	080105.0506.S	Bolt, 5/16 X 3/4	2
2	20113R.S	Limit Switch (non L/ML)	2	18	22438A04.S	Bolt, 5/16" X 11/16"	8
	20450R.S	Limit Switch, Zinc (for salt air climates)	2	19	26013D.S	Curved Door Arm	1
3	19806A04.S	Collar	2	20	26012D.S	Straight Door Arm	1
4	19807A04.S	Retaining Clip	2	21	24121D05.S	Nut, 3/8-16 Hex Serr Flg	2
5	24121C05.S	Nut, 5/16-18 Hex Serr Flg	10	22	5973Q04.S	Screw, 3/8 X .87 Hx Hd Mch	2
6	21019B04.S	Rail Clamp (Retail Only)	4	23	35227A.S	Release Knob	1
7	24222A.S	Wire Clip	4	24	21123F.S	Emergency Release Cord, 7-8-10 ft Models	1
8	8091B04.S	Bolt, Lag, 1/4 X 2 HHW	3	25	36179R.S	Carriage Assembly with Magnet	1
9	35421A.S	Header Bracket	1	26	24121B05.S	Nut, 1/4-20 Hex Serr Flg	2
10	3359Q06.S	Carriage Bolt, 1/4-20 X 2	3	27	28421A06.S	OBS: Bolt, Shoulder, 1/4-20 X 1	2
11	8091B04.S	Bolt, Lag, 1/4 X 2 HHW	3	28	30322A.S	Bumper, Adhesive	1
12	5987J04.S	Clevis Pin	2	29	30257T.S	Coupler Assembly, Tube	1
13	606E04.S	Cotter Pin, 3/4"	2	NS	33523R	OBS: Rail Extender Kit, 8" Screw (for 7' Retail Rail Only)	1
14	19792A04.S	Door Bracket	1	A	36297R.S	AC/DC Screwdrive Rail Washer Replacement Kit	1
15	24121B05.S	Nut, 1/4-20 Hex Serr Flg	3				

**OBSOLETE - Powerhead: DC Belt or Chain Drive Models (no Wi-Fi, no BBU)**



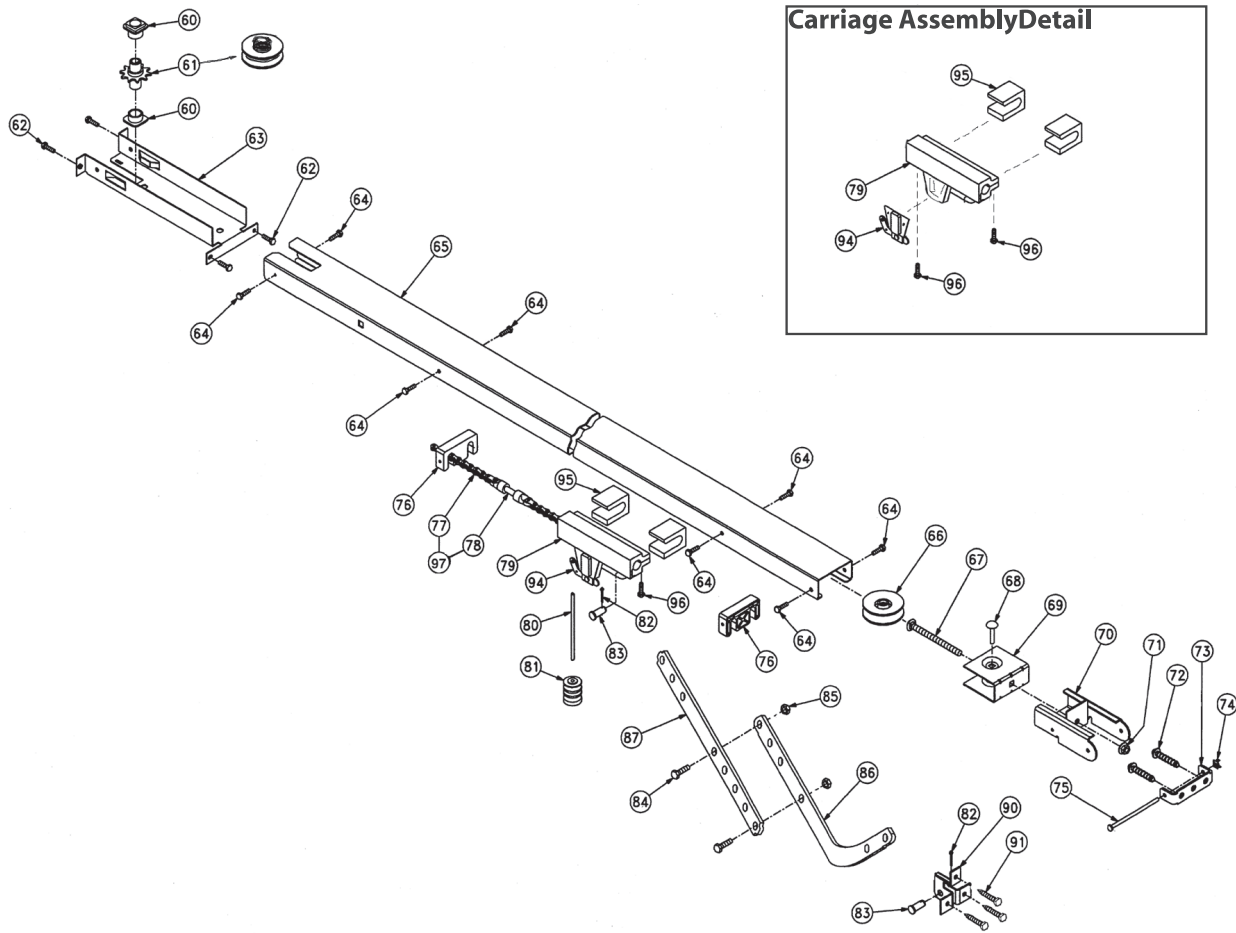
Ref.	Part Number	Description	Qty	Ref.	Part Number	Description	Qty
1	27145A.S	OBS: Lens Cover	1	20	29058A.S	Transformer	1
2	27332R.S	Front wrapper	1	30804A.S	OBS: Transformer (GPS700)	1	
3	29053W.S	OBS: Side Wrapper, Stealth	1	21	20424S.S	Rectifier (PMX1200 and GPS1200IC Stealthn Phantom 777)	1
4	33042R.S	OBS: Top Plate	1	20424R.S	OBS: Rectifier (PMX700 and GPS700IC Stealth, 777)	1	
5	9541C.S	Strain relief	1	22	29672A15.S	Fuse, 15A, Type F	1
6	24567R.S	Power cord and plug	1	23	29672B3.S	Fuse, 3A Type T (GPS)	1
7	27325R.S	OBS: Rear Panel, Stealth	1	29672B8.S	Fuse, 8A Type T (PMX700)	1	
8	27120H.S	OBS: Bottom Wrapper	1	24	29067A.S	OBS: Limit gear shroud	1
9	24501D04.S	Screw, 8 x 3/4 Self Tap HHW	2	25	29062R.S	OBS: Limit Switch Plate	1
10	27293A04.S	OBS: Screw, 8-11 X 5/8	2	26	8062C04.S	Screw, #10-24 X 3/8 Tap HHW	4
11	27250A30.S	Screw, 8-18 x 1/2	4	27	29068A.S	OBS: Motor bracket	1
12	8706E04.S	Screw, 8-32 x 3/8 HHD SLTD TAP	2	28	27220A.S	Limit switch	4
13	34322A.S	OBS: Light Socket	1	29	24173B04.S	Screw, #4 X 5/8 Self Tap	2
14	22676R.S	OBS: Terminal Block & Lug Assembly	1	30	29056R.S	Motor	1
15	30073R.S	MOV ASSY	1	31	29033A.S	OBS: Motor adapter plate	1
16	36521S.S	Receiver, Codedodger, 390Mhz	1	33	27091A.S	OBS: Limit worm gear	1
17	20285R.S	Receiver, fixed code, 12 switch, 390 Mhz	1	34	29030A.S	Limit gear bushing	1
18	27221A.S	Limit override wvitch	1	35	27092A.S	Limit worm drive	1
19	20399R.S	OBS: Sequencer, rolling code	1	36	29034A.S	Limit worm shim	1
	20398R.S	OBS: Sequencer (GPS700 IC Stealth)	1	37	27093A.S	Limit wheel	1
	20403R.S	OBS: Sequencer (PMX 700 Stealth)	1	38	24311A17.S	Retaining ring	1
	20404R.S	OBS: Sequencer (GPS 1200 Stealth) (PMX 1200 Stealth)	1	40	27095A.S	Limit cam	1
	8706E04.S	Screw, 8-32 x 3/8 HHD SLTD TAP	2	41	27094A.S	Limit pinion	1



Quantities shown reflect total pieces needed.  
 Prices charged are per each piece.

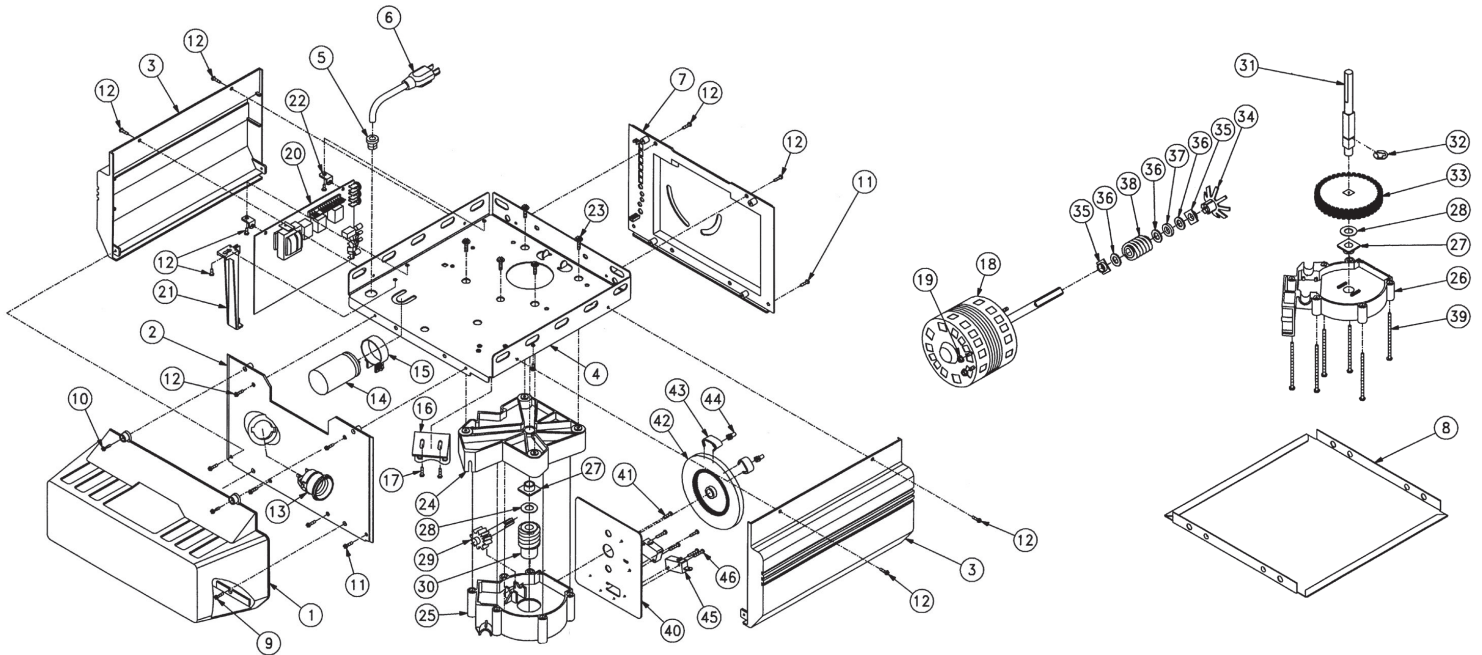
OBS = Obsolete Item  
 NSS = Not Sold Separately  
 NS = Not Shown

**OBSOLETE - Rails: DC Chain & Belt Drive for Models**



Ref.	Part Number	Description	Qty	Ref.	Part Number	Description	Qty
60	27222A.S	OBS: Sprocket Bushing	2	78	27150A.S	Bullet (chain)	1
61	27191A.S	Sprocket, 10 tooth (0706/0800-cc)	1	79	27175B.S	Carriage slide	1
62	27290A.S	OBS: Sprocket, 12 Tooth (1000-cc)	1	80	21123F.S	Emergency Release Cord, 7-8-10 ft Models	1
63	28021A.S	OBS: Sprocket (1000/1200-Bc)	1	81	21123G.S	Emergency Release Cord, 12-14ft Models	1
64	36220A.S	OBS: Sprocket (0706/0800-Bc)	1	82	35227A.S	Release Knob	1
65	8094C04.S	Screw, 10-24 X 1/2 HHW SL	4	83	606E04.S	Cotter Pin, 3/4"	2
66	27080B.S	Sprocket bracket (chain)	1	84	5987J04.S	Clevis Pin	2
67	28770R.S	Sprocket bracket (belt 7'-8')	1	85	5973Q04.S	Screw, 3/8 X .87 Hx Hd Mch	2
68	28770S.S	Sprocket bracket (belt 10'-12')	1	86	24121D05.S	Nut, 3/8-16 Hex Serr Flg	2
69	8062C04.S	Screw, #10-24 X 3/8 Tap HHW	8	87	26013D.S	Curved Door Arm	1
70	26966A.S	Pulley (Chain)	1	88	26012D.S	Straight Door Arm	1
71	28773A.S	Pulley (Belt)	1	89	2128N04.S	OBS: Lock Washer, 1/4"	1
72	27254A04.S	Carriage bolt, 5/16-18 X 4	1	90	19792A04.S	Door Bracket	1
73	27291A04.S	Carriage pin, 5/16 x 1-1/4	1	91	605879.0001.S	Screw, 1/4-20 x 3/4 Self Drill	3
74	27360R.S	Pulley bracket assembly	1	94	20462R.S	OBS: Carriage Release Assembly	1
75	27127A.S	End bracket	1	95	27190A.S	Carriage cap	2
76	22679A04.S	Nut, 5/16-18 Hex Jam	1	96	27247D30.S	Screw, #10-16 X 1-5/16"	1
77	24121C05.S	Nut, 5/16-18 Hex Serr Flg	1	97	20460R.S	OBS: Belt & Bullet (1000)	1
78	8091B04.S	Bolt, Lag, 1/4 X 2 HHW	1		20461R.S	OBS: Belt & Bullet (1200)	1
79	18295A04.S	Header Bracket	1		20463R.S	OBS: Belt & Bullet (0706)	1
80	8115B17.S	Speed nut (squeeze nut)	1		20463S.S	OBS: Belt & Bullet (0800)	1
81	18586A04.S	Header Bracket Pin	1	NS	20060A.S	Master Link, Chain	1
82	27140A.S	Carriage stop	2	NS	27570R.S	Channel support (10'-12')	1
83	27335A.S	OBS: Chain (0706)	1	NS	28018A.S	Bullet (belt)	1
84	27335B.S	Chain (0800)	1	NS	28019A.S	OBS: Bullet Retainer (Belt)	1
85	27335C.S	Chain (1000)	1	NS	28043C04.S	OBS: Screw, 6-32 X 1/2, Self Tap, PH PNH	1

**OBSOLETE - Powerhead: AC Chain or Belt Drive Models (no Wi-Fi, no BBU)**



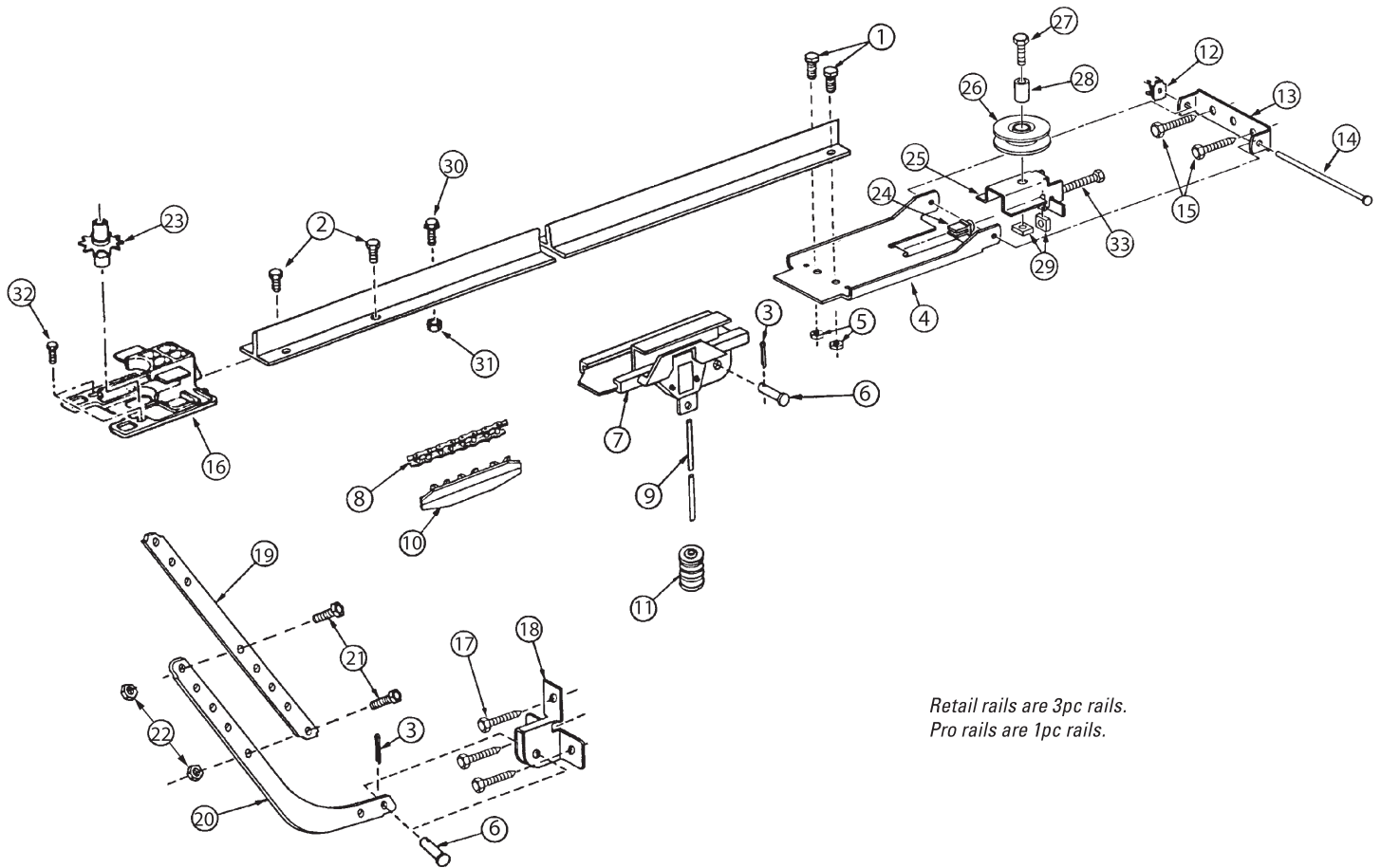
Ref.	Part Number	Description	Qty	Ref.	Part Number	Description	Qty
1	27145A.S	OBS: Lens Cover	1	21	32989A.S	Circuit board bracket	1
2	27332R.S	Front wrapper	1	22	27247A04.S	OBS: Screw, #10 X 5/8	5
3	29053V.S	Side panel cover, PMX	1	23	35219A.S	Top gear housing	1
	29053X.S	OBS: Side Panel Cover, IC250	1	24	35220A.S	Middle gear housing	1
4	33042R.S	OBS: Top Plate	1	25	35221A.S	Bottom gear housing	1
5	9541C.S	Strain relief	1	26	33223A.S	Bushing, drive shaft	1
6	32928D.S	Cord and plug	1	27	27089A.S	Drive shaft	1
7	33037R.S	OBS: Component Panel	1	28	27091A.S	OBS: Limit worm gear	1
8	27120K.S	OBS: Bottom wrapper	1	29	27092A.S	Limit worm drive	1
9	30417A04.S	Screw, 8 x 3/4 HX Hd PHIL	2	30	27098A03.S	Drive shaft washer	1
10	27293A04.S	OBS: Screw, 8-11 X 5/8	2	31	24311B17.S	Retaining ring	1
11	27250A30.S	Screw, 8-18 x 1/2	4	32	27096A.S	OBS: Main drive gear	1
12	8706E04.S	Screw, 8-32 x 3/8 HHD SLTD TAP	2	33	32987A.S	Optical interrupt wheel	1
13	34322A.S	OBS: Light Socket	1	34	33221A.S	OBS: Motor bushing	2
14	18004B.S	Capacitor, 50 MFD (1/3 HP)	1	35	27087A.S	Motor thrust washer	3
	19988A.S	Capacitor, 70 MFD (1/2 HP)	1	36	27251A.S	Poly thrust washer	1
15	25760C.S	Capacitor clamp	1	37	27090A.S	OBS: Drive worm gear	1
16	27123A.S	OBS: Motor Bracket	1	38	27255B04.S	Screw, 8-16 x 3-1/8, Self Tap	6
17	24173D04	OBS: Screw, #10-24 X 50	2	39	27249A.S	Limit plate	1
18	32960R.S	OBS: Motor Assembly 1/2 HP	1	40	27665A04.S	Screw, 6 X 3/8 Self Tap	2
	32960S.S	OBS: Motor Assembly 1/3 HP	1	41	27093A.S	Limit wheel	1
19	24121E05.S	Nut, 10-32 Hex Serr Flg	2	42	27095A.S	Limit cam	1
20	36190T.S	OBS: Control board (3 terminal board, IC/B Only)(Replaced by 35616R.S)	1	43	27094A.S	Limit pinion	1
				44	27220A.S	Limit switch	1
				45	24173B04.S	Screw, #4 X 5/8 Self Tap	4
				NS	36521R.S	Receiver, Intellicode, 390Mhz	1
				NS	20393R.S	OBS: Sequencer	1



Quantities shown reflect total pieces needed.  
 Prices charged are per each piece.

OBS = Obsolete Item  
 NSS = Not Sold Separately  
 NS = Not Shown

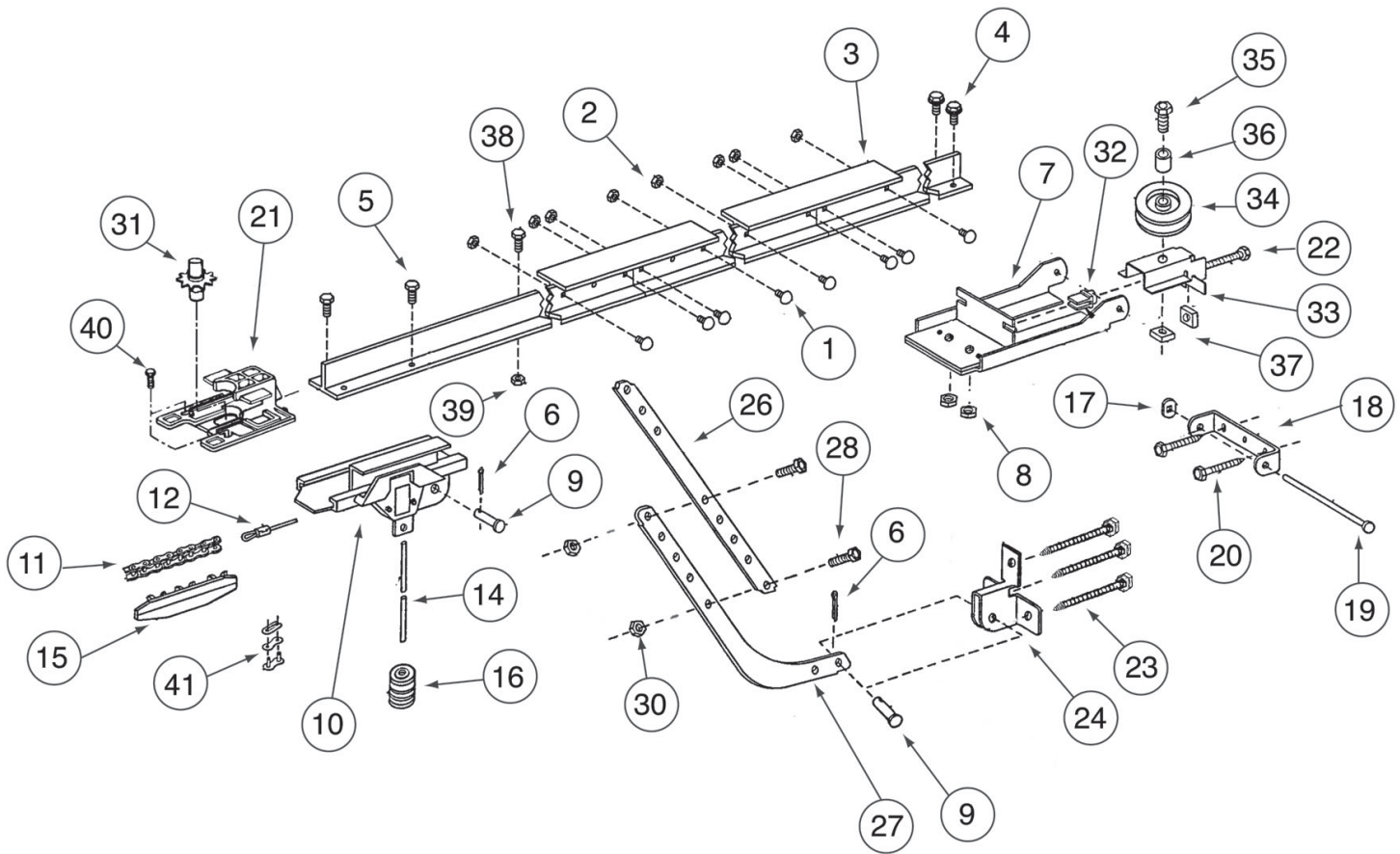
**OBSOLETE - Rails: T-Rail Style, AC/DC Chain Drive Models**



Retail rails are 3pc rails.  
 Pro rails are 1pc rails.

Ref.	Part Number	Description	Qty	Ref.	Part Number	Description	Qty
1	8028L04.S	OBS: Bolt, 5/16 X 3/4	2	19	26012D.S	Straight Door Arm	1
2	8028P04.S	Screw, 5/16-18 x 1/2 HHD WSHR	2	20	26013D.S	Curved Door Arm	1
3	606E04.S	Cotter Pin, 3/4"	2	21	5973Q04.S	Screw, 3/8 X .87 Hx Hd Mch	2
4	25999F.S	OBS: Pulley support (full chain)	1	22	24121D05.S	Nut, 3/8-16 Hex Serr Flg	2
5	22679A04.S	Nut, 5/16-18 Hex Jam	2	23	27191A.S	Sprocket, 10 tooth (0706/0800-cc)	1
6	5987J04.S	Clevis Pin	2	24	26004A.S	Bolt retainer	1
7	36254R.S	Carriage	1	25	26001A04.S	Pulley bracket	1
8	18428B.S	Chain (7' Models-474P)	1	26	26966D.S	Pulley (Full Chain)	1
8	18428D.S	Chain (8' Models-522P)	1	27	8026H04.S	Screw, 5/16-18 x 1.13 HEX HD	1
9	21123F.S	Emergency Release Cord, 7-8-10 ft Models	1	28	26002B.S	Pulley bushing (chain)	1
10	25605R.S	Innerslide kit	1	29	3783A04.S	Nut, Square 5/16-18	2
11	35227A.S	Release Knob	1	30	8025D04.S	Screw, 1/4-20 x 1 HX HD Washer	1
12	8115B17.S	Speed nut (squeeze nut)	1	31	22441A04.S	OBS: Nut, 1/4-20	1
13	18295A04.S	Header Bracket	1	32	8094C04.S	Screw, 10-24 X 1/2 HHW SL	1
14	18586A04.S	Header Bracket Pin	1	33	8095A.S	Bolt, 5/16 X 2-1/4	1
15	8091B04.S	Bolt, Lag, 1/4 X 2 HHW	2	NS	20456R.S	OBS: Pulley support kit (contains #s 4, 12, 24-29, and 33 above)	1
16	36196A.S	Sprocket saddle	1	NS	109150.0001.S	Wire Clips (Bag Of 500 Pcs)	1
17	8091B04.S	Bolt, Lag, 1/4 X 2 HHW	3	NS	20060A.S	Master Link, Chain	1
18	19792A04.S	Door Bracket	1				

**OBSOLETE - Rails: T-Style, AC Chain/Cable Drive for Retail Models**



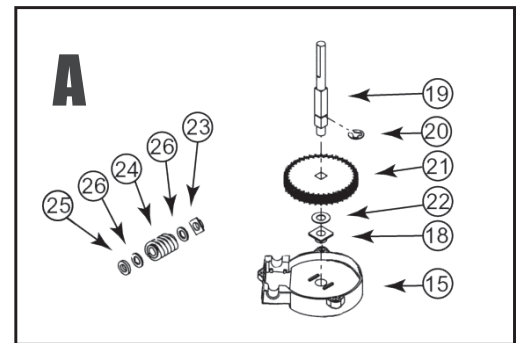
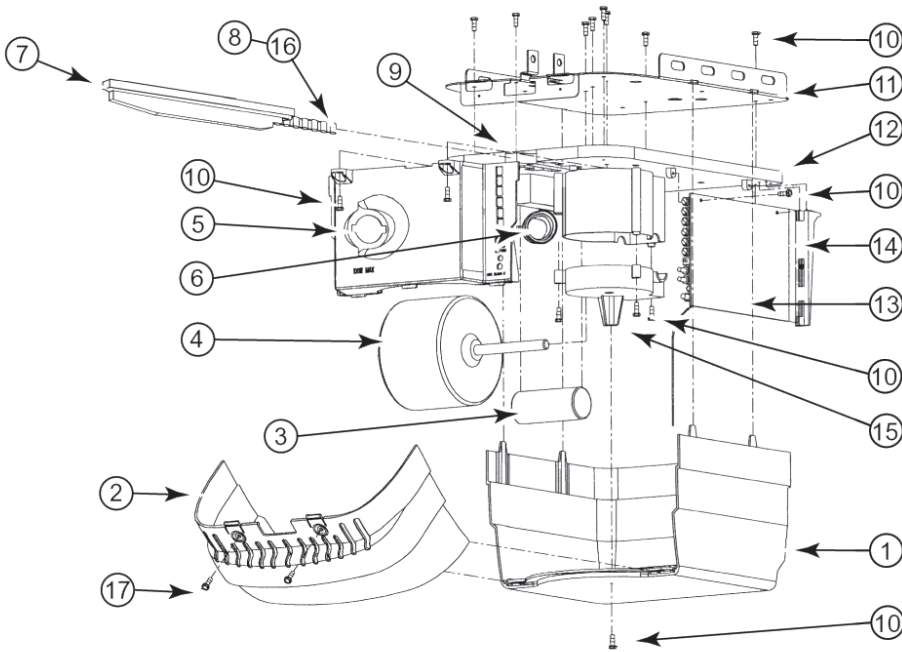
Ref.	Part Number	Description	Qty	Ref.	Part Number	Description	Qty
1	3359N04.S	OBS: Bolt, 1/4-20 X 1/2	8	21	36196A.S	Sprocket saddle	1
2	22441A04.S	OBS: Nut, 1/4-20	8	22	8095A.S	Bolt, 5/16 X 2-1/4	1
3	20088R.S	OBS: T-Rail (3 Pc)	1	23	8091B04.S	Bolt, Lag, 1/4 X 2 HHW	3
4	8028L04.S	OBS: Bolt, 5/16 X 3/4	2	24	19792A04.S	Door Bracket	1
5	8028P04.S	Screw, 5/16-18 x 1/2 HHD WSHR	2	26	26012D.S	Straight Door Arm	1
6	606E04.S	Cotter Pin, 3/4"	2	27	26013D.S	Curved Door Arm	1
7	26114R.S	OBS: Pulley Support (Chain/Cable)	1	28	5973Q04.S	Screw, 3/8 X .87 Hx Hd Mch	2
8	22679A04.S	Nut, 5/16-18 Hex Jam	2	30	24121D05.S	Nut, 3/8-16 Hex Serr Flg	2
9	5987J04.S	Clevis Pin	2	31	27191A.S	Sprocket, 10 tooth (0706/0800-cc)	1
10	36254R.S	Carriage	1	32	26004A.S	Bolt retainer	1
11	26027A.S	OBS: Chain (7' Ch/Cbl 245P)	1	33	26001A04.S	Pulley bracket	1
12	26005A.S	OBS: Cable (115")	1	34	26003A.S	OBS: Pulley (Chain/Cable)	1
13	2128N04.S	OBS: Lock Washer, 1/4"	1	35	8026H04.S	Screw, 5/16-18 x 1.13 HEX HD	1
14	21123F.S	Emergency Release Cord, 7-8-10 ft Models	1	36	26002A.S	Pulley bushing (chain/cable)	1
15	25605R.S	Innerslide kit	1	37	3783A04.S	Nut, Square 5/16-18	2
16	35227A.S	Release Knob	1	38	8025D04.S	Screw, 1/4-20 x 1 HX HD Washer	1
17	8115B17.S	Speed nut (squeeze nut)	1	39	22441A04.S	OBS: Nut, 1/4-20	1
18	18295A04.S	Header Bracket	1	40	8094C04.S	Screw, 10-24 X 1/2 HHW SL	1
19	18586A04.S	Header Bracket Pin	1	41	20060A.S	Master Link, Chain	1
20	8091B04.S	Bolt, Lag, 1/4 X 2 HHW	2	NS	109150.0001.S	Wire Clips (Bag Of 500 Pcs)	1



Quantities shown reflect total pieces needed.  
Prices charged are per each piece.

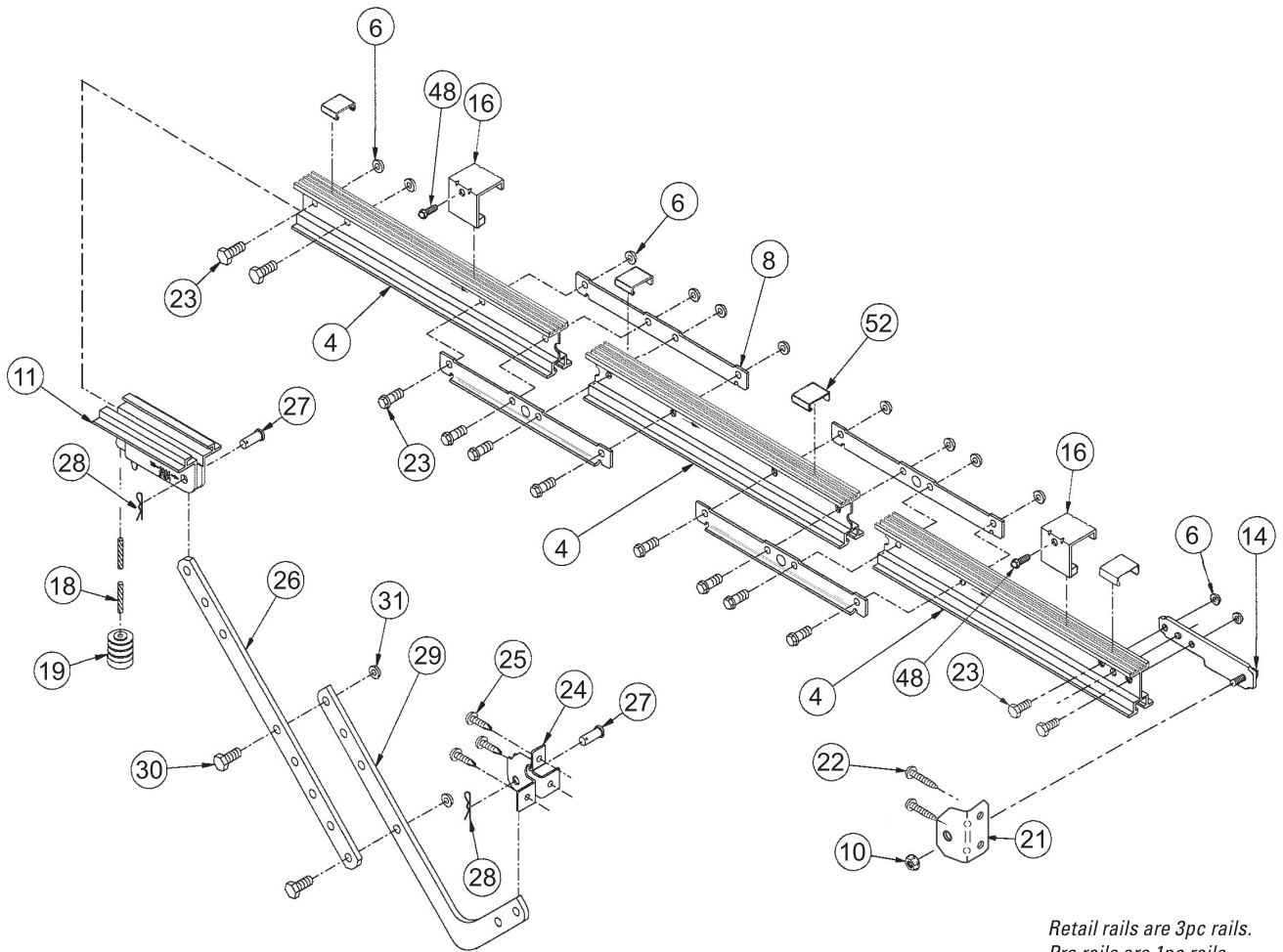
OBS = Obsolete Item  
NSS = Not Sold Separately  
NS = Not Shown

**OBSOLETE - Powerhead: AC Chain Glide® Models (no Wi-Fi, no BBU)**



Ref.	Part Number	Description	Qty	Ref.	Part Number	Description	Qty
1	34526R.S	PCG ML motor cover (Pro gray)	1	<b>A) GEAR BOX COMPONENTS</b>			
	35573A.S	OBS: Motor cover, Aladdin/ChainLift	1	18	33223A.S	Bushing, drive shaft	1
	33483S.S	OBS: Powerhead Cover, GCG (Retail Gray)	1	19	33353A.S	Shaft, drive	1
	33483R.S	OBS: GCG Motor Cover (Retail Green) (Can use 33483S.S)	1	20	24311B17.S	Retaining ring	1
2	33359B.S	OBS: Light Lens (Genie Pro/Retail)	1	21	27096A.S	OBS: Main drive gear	1
	35574A.S	OBS: Light Lens, Aladdin/Chainlift	1	22	27089A.S	Drive shaft	1
3	18004B.S	Capacitor, 50 MFD (1/3 HP)	1	23	33221A.S	OBS: Motor bushing	1
4	33218R.S	OBS: Motor 1/2 HP	1	24	33355A.S	OBS: Worm Drive Gear	1
	33218S.S	OBS: Motor 1/3 HP	1	25	33222A.S	Pm washer	1
5	34518R.S	OBS: Front Panel Assy & Socket	1	26	27087A.S	Motor thrust washer	2
6	34322A.S	OBS: Light Socket	1	<b>ADDITIONAL PARTS (NOT SHOWN)</b>			
7	34516R.S	Inner slide (ML Models w/magnet)	1	NS	20417R.S	Grey, Up Limit Lead	1
8	33361A.S	OBS: Chain (239 Pitch)	1	NS	20418R.S	Brown, Down Limit Wire	1
9	33759A.S	Stop shock absorber	1	NS	33356A.S	OBS: Opto-wheel	1
10	24501D04.S	Screw, 8 x 3/4 Self Tap HHW	16	NS	33367B04.S	Screw, 1/4-20 HX HD WSHR	1
11	33763B.S	Chassis, all ML models	1	NS	33451B.S	OBS: Cord & Plug	1
12	34520A.S	OBS: Drive Module	1	NS	8706E04.S	Screw, 8-32 x 3/8 HHD SLTD TAP	1
13	36190T.S	OBS: Control board (3 terminal board, IC/B Only)(Replaced by 35616R.S)	1	NS	9541C.S	Strain relief	1
	36190S.S	OBS: Control board (6 terminal board ML) (Replaced by 35616R.S)	1	<b>UPPER DRIVE MODULE PARTS (NOT SHOWN)</b>			
	35616R.S	Control board (6 terminal board ML, dual frequency)	1	NS	33045A.S	Chain guide	1
	35919S.S	Separate antenna for above	1	NS	33220A.S	OBS: Sprocket Bushing	1
14	32989A.S	Circuit board bracket	1	NS	33224A.S	Chain guide spacer	1
15	20449R.S	Gear housing cover w/bushing	1	NS	33225A.S	Chain stripper	1
16	080884.0003.S	Connecting link, #41 chain (masterlink)	1	NS	33350A.S	Drive sprocket	1
17	28043A04.S	Screw, Lens Cover 8-32 x .375, Self Tap, PH PNH	2	NS	33352A.S	Chain stripper	1

**OBSOLETE - Rails: Chain Drive Models**



Retail rails are 3pc rails.  
 Pro rails are 1pc rails.

Ref.	Part Number	Description	Qty	Ref.	Part Number	Description	Qty
4	20468R.S	3PC Rail assembly	3	22	8091B04.S	Bolt, Lag, 1/4 X 2 HHW	2
6	24121B05.S	Nut, 1/4-20 Hex Serr Flg	10	23	33760A04.S	Bolt, 1/4-20 X 5/8	10
8	33744A04.S	Rail clamp	4	24	19792A04.S	Door Bracket	1
10	24121C05.S	Nut, 5/16-18 Hex Serr Flg	1	25	3359Q06.S	Carriage Bolt, 1/4-20 X 2	3
11	35263R.S	OBS: Carriage Kit, w/ Innerslide (No Magnet) & MasterLink	1	26	26012D.S	Straight Door Arm	1
NS	34516R.S	Inner slide (ML Models w/magnet)	1	27	5987J04.S	Clevis Pin	2
14	34540A.S	Rail Strap	1	28	34542A.S	Cotter pin	2
16	20113R.S	Limit Switch (non L/ML)	2	29	26013D.S	Curved Door Arm	1
	20467R.S	OBS: Limit Switch & Screw (L)	2	30	5973Q04.S	Screw, 3/8 X .87 Hx Hd Mch	2
	34538R.S	Up limit switch (ML)	2	31	24121D05.S	Nut, 3/8-16 Hex Serr Flg	2
	34538S.S	Down limit switch (ML)	2	48	8094H04.S	Screw, # 8-32 X 1 HHW PHIL	2
18	21123F.S	Emergency Release Cord, 7-8-10 ft Models	1	52	33762A.S	Wire clip	3
19	35227A.S	Release Knob	1	NS	20060A.S	Master Link, Chain	1
21	35421A.S	Header Bracket	1				



Quantities shown reflect total pieces needed.  
 Prices charged are per each piece.

OBS = Obsolete Item  
 NSS = Not Sold Separately  
 NS = Not Shown



**Additional Miscellaneous Service Parts**

Part Number	Description
<b>Batteries and Battery Related</b>	
34472B.S	OBS: 3 Volt battery (CR2032)
9333A.S	9 Volt battery
36863A.S	1.5 volt AAA battery
24030A.S	12 volt battery (A23/23A)
36959A.S	Battery ONLY, replacement (140V BBU accessories 37228R, 37229R cases WITH LOGO)
111658.0002.S	Battery ONLY, replacement
36955A.S	Battery backup bracket, 140V Battery Backup
36747R.S	Cable assembly, 3' (connects BBU to 140V operator)
36953R.S	OBS - Battery backup circuit board (used in older 140V accessories 37228R, 37229R, use with NO LOGO)
36849A.S	Battery compartment cover, wireless keyless entry (37224R)
39712R.S	Battery compartment cover, 2-button LED flashlight remote (39654R/39646R/39647R)
27474C.S	Battery compartment cover, black keypad GWKIC + GWK-12
39778A.S	Battery compartment cover, wireless wall console (39902R PRO version)
39849A.S	Battery compartment cover, wireless wall console (41006R Retail version)
41402A.S	Battery compartment cover, universal wireless wall console (41249R)
<b>Aladdin Connect®</b>	
39193A.S	Power pack plug (12V) with Aladdin Connect® (4.5 feet)
37822A.S	Mounting bracket for Aladdin Connect® door control module
39120R.S	Door position sensor mounting kit - parts pack for Aladdin Connect®
<b>Transmitters</b>	
37768A.S	Transmitter visor clip
<b>Keypads</b>	
20235R.S	Replacement KEP-1 Keypad / Ribbon
<b>Safe-T-Beam®</b>	
34879A.S	Bayonette Safe-T-Beam bracket - clip on style bracket for square clip on beams only (single piece)
34439R.S	Bayonette Safe-T-Beam bracket - extension kit (1 Set)
34439S.S	Bayonette Safe-T-Beam bracket - extension kit (6 Sets)
37909S.S	Current production Safe-T-Beam extension kit (1 Set)
37909R.S	Current production Safe-T-Beam extension kit (6 Sets)
20302R.S	1993-1995 Safe-T-Beam pigtail connector (1 each) 2 conductor
39587R.S	Safe-T-Beam® lens covers, 2 pcs (37220R/37221R/37334R)
39587S.S	Safe-T-Beam® lens covers, 20 pcs (37220R/37221R/37334R)
34546A.S	Insulated Staple (quantity 1)
<b>Wire</b>	
35265D.S	2 Conductor wire spool - 60 ft (22G)
35265E.S	2 Conductor wire spool - 90 ft (22G)
37714S.S	Wire clips, (50 pcs) attach wire to rail
42240R.S	Wire Clips, Large Fitted (4pk)
42240S.S	Wire clips, large fitted (50pk) attach wire to rail
36443A.S	Bag # 7, Parts Pack, Insulated Staples, (30 pk)
<b>Lubricant</b>	
20010A.S	Low temp lube - 10 oz.Tube
35159A.S	Low temp lube - 1/4 oz.Tube
<b>Miscellaneous</b>	
24701R.S	Early chain model limit dogs (3 pcs)
39761A.S	Strap, angle, hanging, .60 x 25", Qty 2
43121R.S	Bushings, pair (for TorqueMaster Adapter Kit)





Quantities shown reflect total pieces needed.  
Prices charged are per each piece.

OBS = Obsolete Item  
NSS = Not Sold Separately  
NS = Not Shown



©2026 Genie Company. Genie, Genie Logo, BeltLift, Chain Glide, ChainLift, ChainMax, Closed Confirm, DirectLift, DuraDrive, Excelerator, PowerLift, PowerMax, Pro Max, QuietLift, SilentMax, Stealth, ReliaG, Intellicode, and Safe-T-Beam are registered trademarks. Aladdin Connect, Aladdin, EnduraDrive, StealthDrive, and StealthLift are trademarks of GMI Holdings, Inc., d/b/a The Genie Company. Consistent with our policy of continuing product improvement, we reserve the right to change product specifications without notice or obligation.