

WEL-200G Wireless Sensing Edge System Instructions

For Commercial Door Operators Using a T3/DC (red band) or T2 Edge (blue band)



WARNING

BE SURE ELECTRICAL POWER HAS BEEN DISCONNECTED FROM THE INPUT POWER LINES PRIOR TO REMOVING THE ELECTRICAL BOX COVER. AN APPROPRIATE LOCK-OUT/TAG-OUT PROCEDURE IS RECOMMENDED.

CAUTION: THIS PROCEDURE MUST BE PERFORMED WITH THE DOOR IN THE CLOSED POSITION ONLY.

Door Installation - Wireless Edge System:

1. Move door to the fully closed position.
2. Remove power from the unit. Use proper lock-out/tag-out procedures. (Refer to OSHA Standard 1910.147).

NOTE: This instruction only applies to connecting the WEL-200G Wireless Monitored Edge System to the operator, use instruction included with sensing edge system to install the edge and program the wireless system. Use the chart below to determine the appropriate wiring diagrams to use for the application.

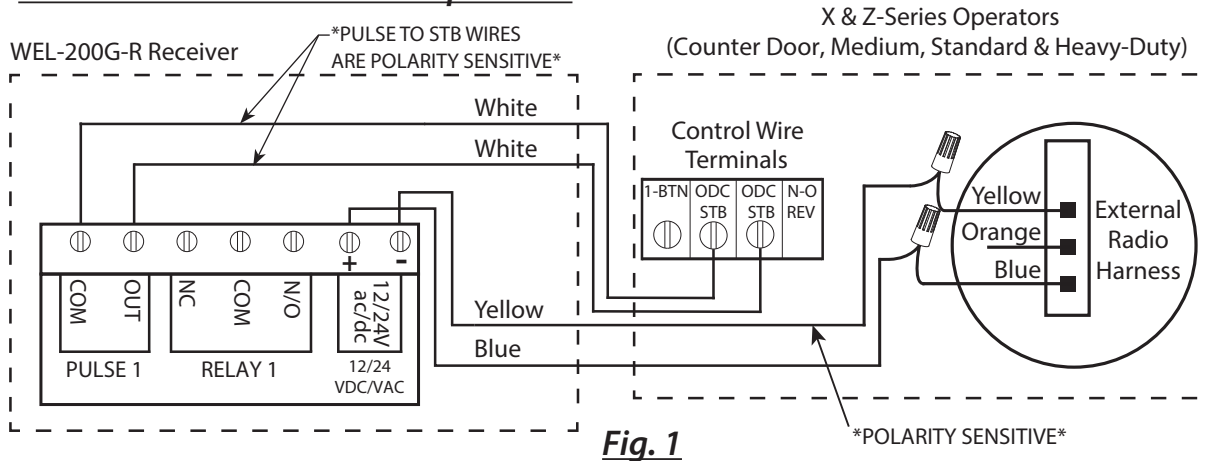
Edge Type & Operation	Operator Series	WEL-200G-R Receiver Wiring	Door Layout
T3 Monitored Safety Edge (red band)	X and Z-Series Counter, Light, Medium, Standard & Heavy-Duty	Fig. 1	Fig. 5
T2 Monitored Safety Edge (blue band)	X and Z-Series Counter, Light, Medium, Standard & Heavy-Duty	Fig. 1	Fig. 7
T3 Monitored Safety Edge (red band)	L Series Light-Duty	Fig. 3/4	Fig. 5
T2 Monitored Safety Edge (blue band)	L Series Light-Duty	Fig. 3/4	Fig. 7
*T3 Non-Monitored Safety Edge (red band)	X and Z-Series Counter, Light, Medium, Standard & Heavy-Duty	Fig. 2	Fig. 6
*T2 Non-Monitored Safety Edge (blue band)	X and Z-Series Counter, Light, Medium, Standard & Heavy-Duty	Fig. 2	Fig. 8

3. Mount the WEL-200G-R receiver near the operator powerhead.
4. Route wire from WEL-200G-R receiver to operator powerhead and attach as shown below. Mount the AC transformer (when required for L series operators).
5. Mount WEL-200G-T transmitter and edge sensor as shown in the manufacturers instructions.
6. Wire safety edge per application using table above.
7. Insert batteries into the WEL-200G-T transmitter.
8. Ensure both jumpers on the WEL-200G-T transmitter are in the correct position for T3 (default) or T2 type edges (reference WEL-200G instruction sheet).
9. Apply power to operator.
10. Follow WEL-200G instruction sheet to learn the WEL-200G-R receiver to the WEL-200-T transmitter.
11. For X and Z Series operators, program operator ODC-STB to the ON status (see installation manual).
12. Run full operational and safety function test.

* Used as a non-monitored safety edge

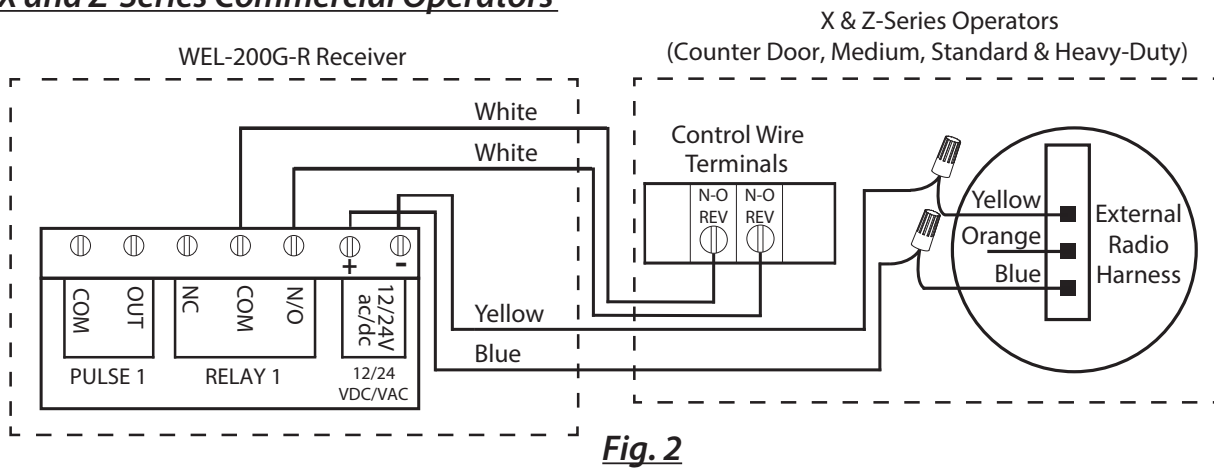
MONITORED T3 or T2 Wireless Sensing Edge WEL-200G Receiver Wiring Installation

X and Z-Series Commercial Operators

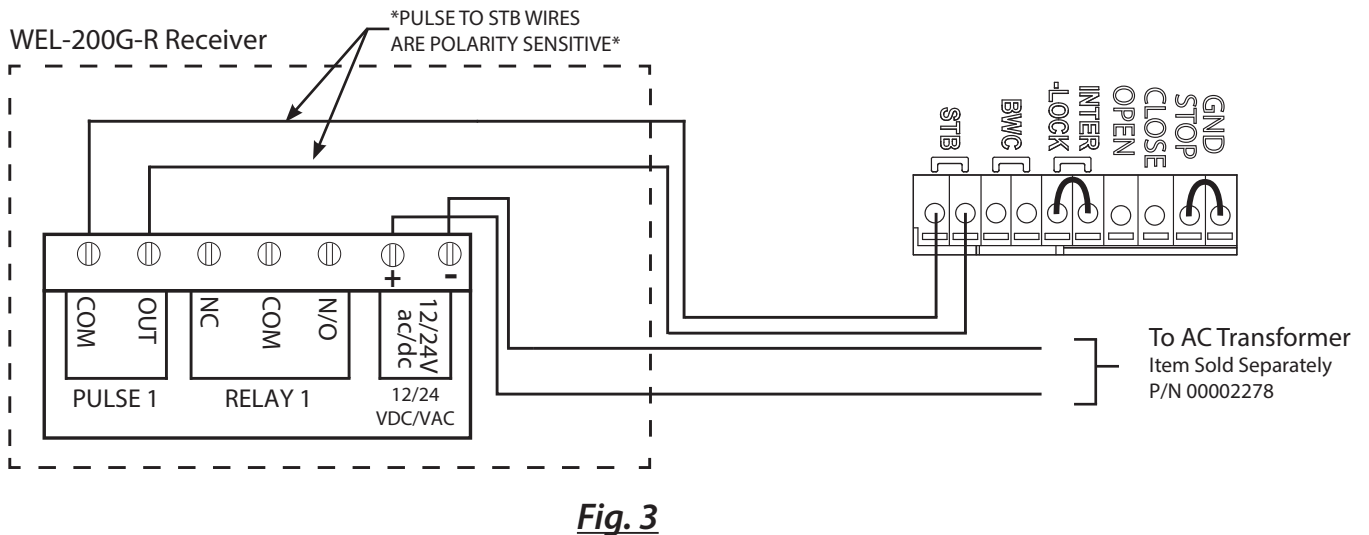


Used as a NON-MONITORED T3 or T2 Wireless Sensing Edge WEL-200G Receiver Wiring Installation

X and Z-Series Commercial Operators



GCL-LJ Commercial Operator



GCL-LT Commercial Operator

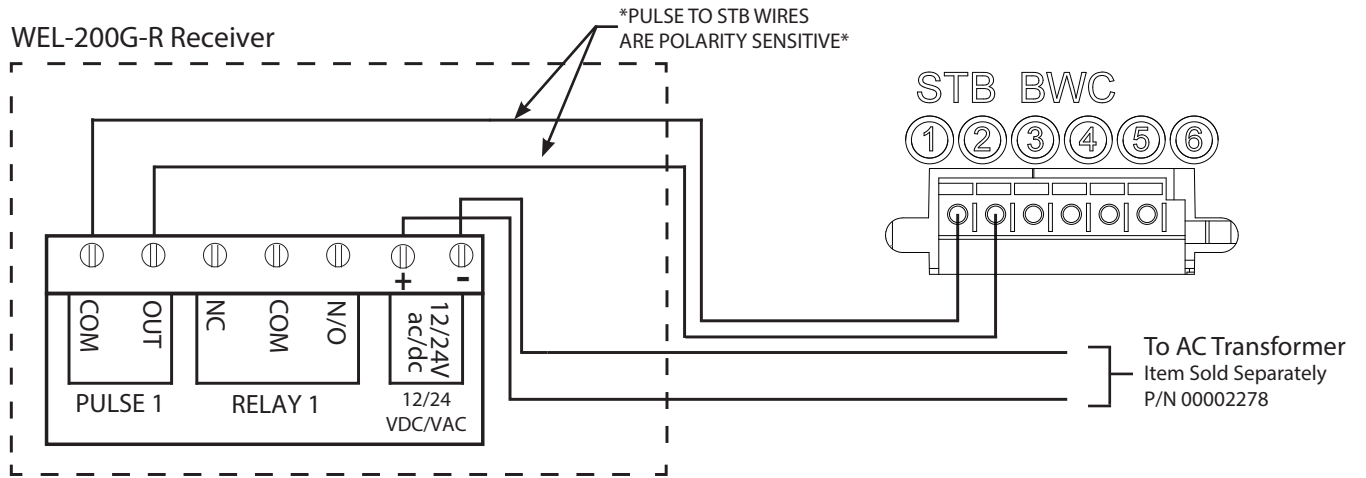


Fig. 4

MONITORED Door Installation

Used as a NON-MONITORED Door Installation

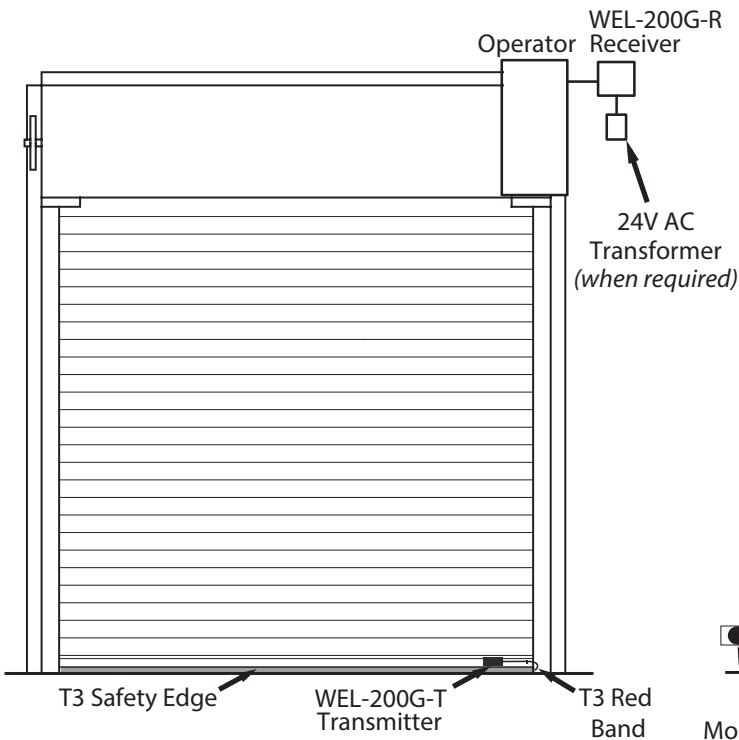


Fig. 5

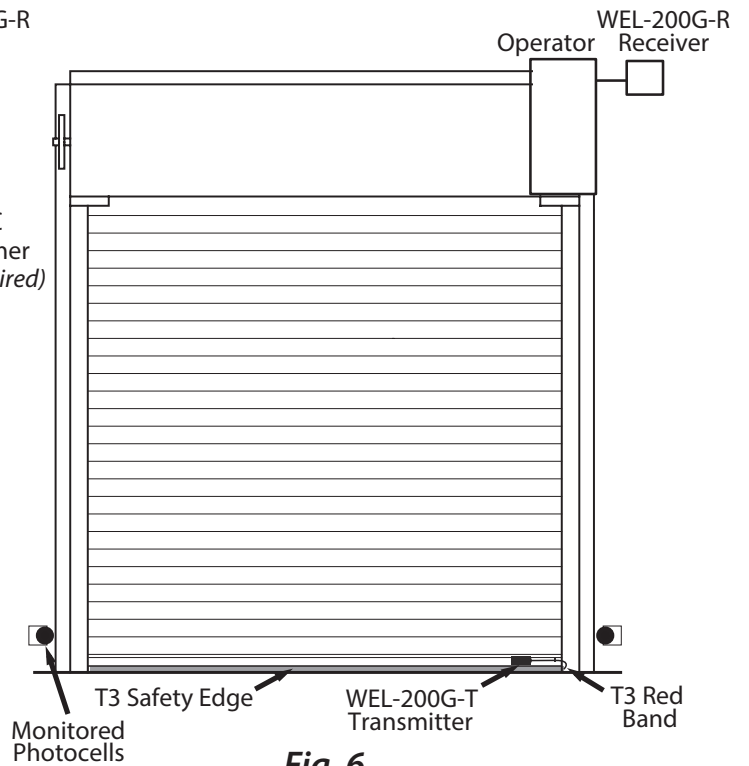


Fig. 6

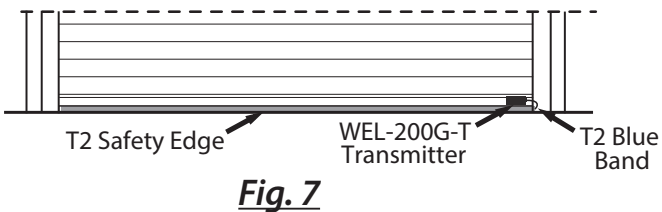


Fig. 7

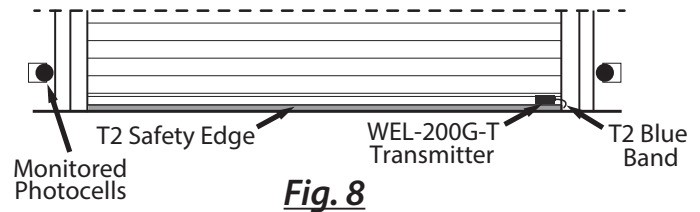


Fig. 8